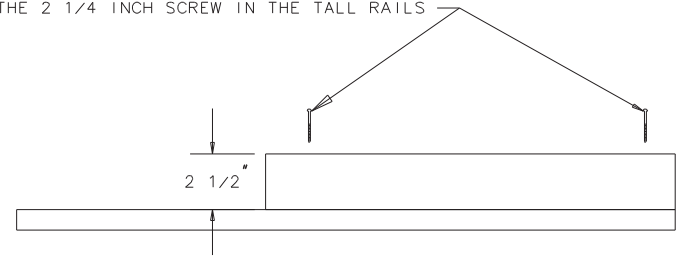
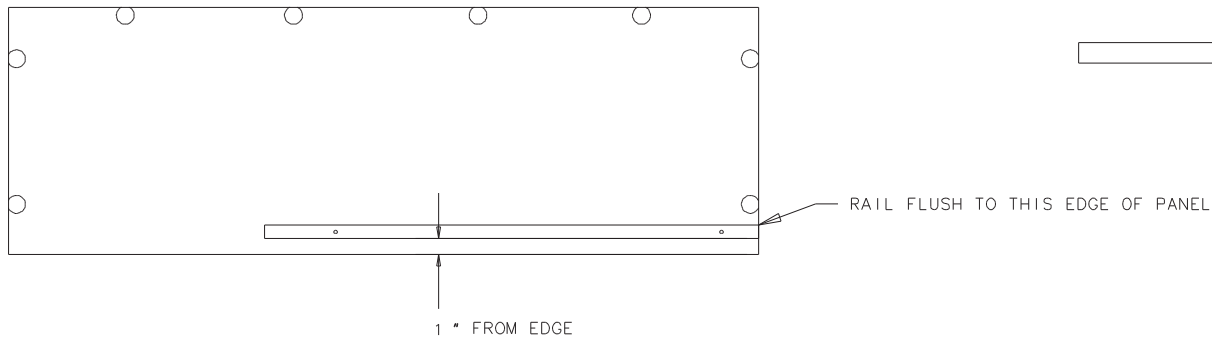


3A)

RAIL ASSEMBLY

PLACE PANELS FACE DOWN WITH KD FASTENERS SHOWING UP.
ATTACH THE LONGER RAIL TO THE LONGER PANEL AS SHOWN.
AND ATTACH THE SHORTER RAIL TO THE SHORTER PANEL AS SHOWN.

USE THE 2 1/4 INCH SCREW IN THE TALL RAILS



USE THE 1 1/8 INCH SCREW IN THE SMALL RAILS

