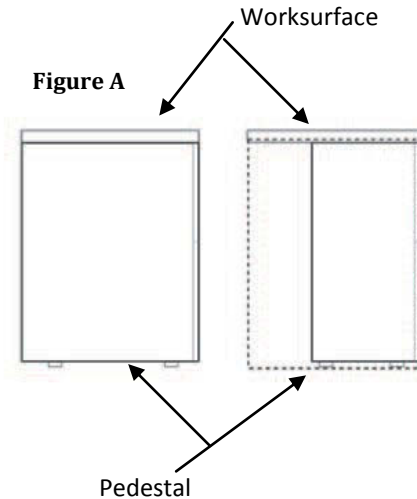


Assembly Instruction

1

These instructions provide the basic information to install undersurface storage to WaveWorks modular surfaces (Figure A).

Applications include worksurface supporting pedestal, less than full depth pedestal, or suspended pedestal.



2

Removing Drawers:

Drawers must be removed to secure storage to worksurface. Begin with top drawer and extend drawer fully (Figure B).

To remove Pedestal Box drawers and Undersurface Lateral File drawers: Insert flat head screwdriver in between drawer and slide. Pry slide away from drawer slightly (Figure C1).

Put one hand underneath drawer and lift front of drawer up to disengage from front drawer slide channel hooks (Figure C2).

When front of drawer is disengaged, pull entire drawer towards you, supporting it from the bottom (Figure C3).

This should disengage drawer from rear drawer slide channel hooks. Set all drawers aside and slide drawer channels back into case. Do not try to remove the entire drawer slide.

Figure B

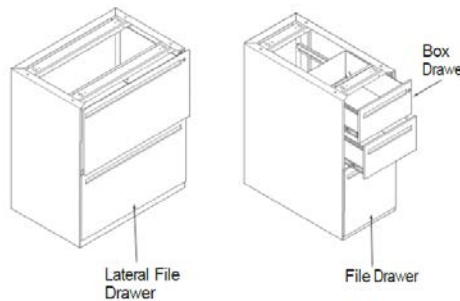
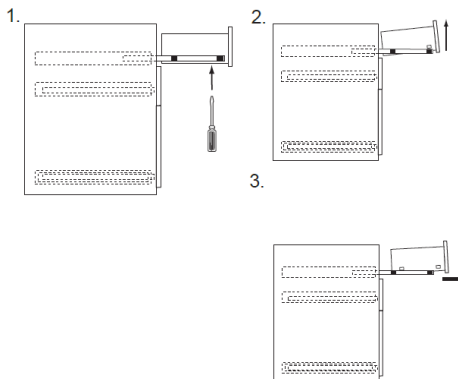


Figure C



WaveWorks® Metal Undersurface Storage

Recommend Tools

- Drill with #2 Phillips bit
- Level
- Flat head screwdriver
- $\frac{3}{16}$ " Hex head wrench

Package Contents

- #10x1" Phillips pan head drill screws
- (4) Spacers
- (4) #6x $\frac{1}{2}$ " self-drilling screws

NATIONAL

Furniture with Personality™

Telephone 800.482.1717
Fax 812.482.8800
www.NationalOfficeFurniture.com

Part # 2010774
Rev. -

Printed in U.S.A.
© 2013 Kimball International, Inc.

Proper product installation, in accordance with these instructions, is the responsibility of the installing agent. If you have any questions concerning these instructions, please call National Customer Service 800.482.1717.

Assembly Instruction

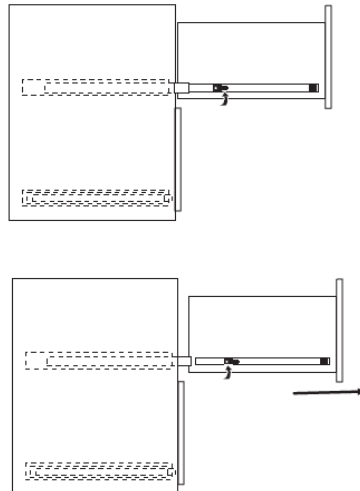
3

To remove Pedestal Box file drawers:

Extend drawer fully. Each drawer slide has a lever; one is depressed, the other is lifted. Simultaneously, while lifting and depressing the levers, hold drawer level and pull towards you. This should disengage drawer from the pedestal (Figure D).

Set drawer aside and slide drawer channels back into case. Do not try to remove the entire drawer slide.

Figure D



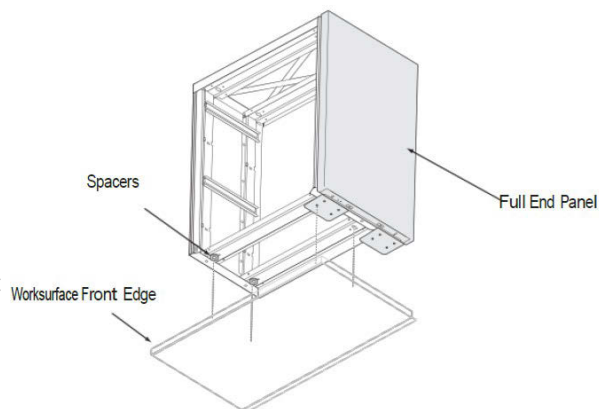
4

Install storage so that the front of the storage (user side) is $\frac{7}{8}$ " set in from the user side of the worksurface with the drawers not in the unit. For less than full depth pedestal, or undersurface lateral file, a full end panel is recommended but not required for stability. For suspended pedestals, a full end panel is required for stability.

5

Lay worksurface on level ground, front edge closest to you. Secure #10x1" screws to worksurface through spacers in front and rear pre-drilled holes. DO NOT tighten screws all the way down; leave about $\frac{1}{4}$ " of the screw head exposed. You'll use this screw to align storage position (Figure E).

Figure E



NOTE: If pre-drilled hole locations do not exist where pedestal is to be installed, lay worksurface on top of pedestal and mark hole locations accordingly.

NOTE: If installing a full pedestal, please go to step 7.

WaveWorks®
Metal Undersurface
Storage

NATIONAL

Furniture with Personality™

Telephone 800.482.1717
Fax 812.482.8800
www.NationalOfficeFurniture.com

Part # 2010774
Rev. -

Printed in U.S.A.
© 2013 Kimball International, Inc.

Proper product installation, in accordance with these instructions, is the responsibility of the installing agent. If you have any questions concerning these instructions, please call National Customer Service 800.482.1717.

Assembly Instruction

6

Attach $\frac{3}{4}$ pedestal to full end panel by using the (4) self-drilling screws in the approximate locations shown (Figure F).

Figure F



7

Set unit upright and adjust glides as needed with Hex; right to lower and left to raise. Replace drawers.

WaveWorks®
Metal Undersurface
Storage

NATIONAL

Furniture with Personality™

Telephone 800.482.1717
Fax 812.482.8800
www.NationalOfficeFurniture.com

Part # 2010774
Rev. -

Printed in U.S.A.
© 2013 Kimball International, Inc.

Proper product installation, in accordance with these instructions, is the responsibility of the installing agent. If you have any questions concerning these instructions, please call National Customer Service 800.482.1717.