

1

NOTE: These instructions explain basic installation of Cylinder legs, wood square bases to worksurfaces. For safety purposes, it is recommended that more than one person be used to move worksurfaces and/or assembled tables.

Unpack the worksurface, place it face down on a smooth, hard surface. Take care to not damage the finished side of the worksurface.

2

Determine the length of the worksurface, use the tape measure and pencil to mark the position of each leg or base using the dimensions shown in table.

Table A Base Placement Chart

Table Length (in)	Square and Round Bases		Queen Anne, Thick Panel Bases, and Kits		FIGURES
	A	B	A	B	
240	30	9	28	7	<p style="text-align: center;">For 240" to 198"</p>
234	29 1/4	9 3/4	27 1/4	7 3/4	
228	28 1/2	10 1/2	26 1/2	8 1/2	
222	27 3/4	11 1/4	25 3/4	9 1/4	
216	27	12	25	10	
210	26 1/4	12 3/4	24 1/4	10 3/4	<p style="text-align: center;">For 192" to 150"</p>
204	25 1/2	13 1/2	23 1/2	11 1/2	
198	24 3/4	14 1/4	22 3/4	12 1/4	
192	24	24	22	26	
186	23 1/4	23 1/4	21 1/4	25 1/4	
180	22 1/2	22 1/2	20 1/2	24 1/2	<p style="text-align: center;">For 144" to 102"</p>
174	21 3/4	21 3/4	19 3/4	23 3/4	
168	21	21	19	23	
162	20 1/4	20 1/4	18 1/4	22 1/4	
156	19 1/2	19 1/2	17 1/2	21 1/2	
150	18 3/4	18 3/4	16 3/4	20 3/4	<p style="text-align: center;">For 96" to 66"</p>
144	24	centered	22	centered	
138	23	centered	21	centered	
132	22	centered	20	centered	
126	21	centered	19	centered	
120	20	centered	18	centered	<p style="text-align: center;">For 96" to 66"</p>
114	19	centered	17	centered	
108	18	centered	16	centered	
102	17	centered	15	centered	
96	24	N / A	22	N / A	
90	22 1/2	N / A	20 1/2	N / A	
84	21	N / A	19	N / A	<p style="text-align: center;">For 96" to 66"</p>
78	19 1/2	N / A	17 1/2	N / A	
72	18	N / A	16	N / A	
66	16 1/2	N / A	14 1/2	N / A	

Conference and Training Solutions Cylinder Base Square Base

Recommended Tools

- Allen Wrench
- Tape Measure or Ruler
- Scissors or Utility Knife
- Screw Gun
- Phillips Bit
- Pencil

Package Contents Qty.

- | | |
|------------------------------|---|
| Cylinder Base | |
| • #8 x 1 1/2" Panhead Screws | 4 |
| • 5/16"-18 x 1/2" Glides | 6 |

Square Base

- | | |
|------------------------------|----|
| • #8 x 1 1/4" Panhead Screws | 12 |
|------------------------------|----|

NATIONAL

Furniture with Personality[®]

Telephone 800.482.1717
Fax 812.482.8800
www.NationalOfficeFurniture.com

Part #2106942
Rev,F

Printed in U.S.A
© 2014 Kimball International, Inc.

Proper product installation, in accordance with these instructions, is the responsibility of the installing agent. If you have any questions concerning these instructions, please call National Customer Service.

Assembly Instructions

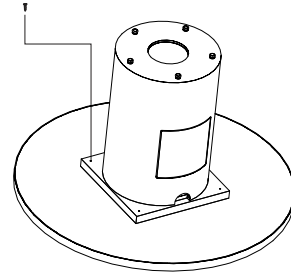
Cylinder Base Square Base

Cylinder Bases

1

Mount the Cylinder Base to the underside of the top. Measure in from four (4) points on the underside of the table to find the center point. Attach base with the four (4) #8 x 1 1/2" PH screws provided through each hole in flange (Figure A). Tighten screws firmly, but do not over-tighten.

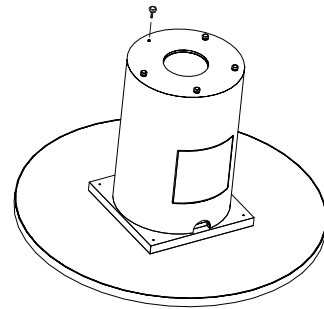
Figure A



2

Locate hardware bag and install glides. (Figure B). Carefully turn the unit upright. Adjust glides as necessary to level unit. Check with a level.

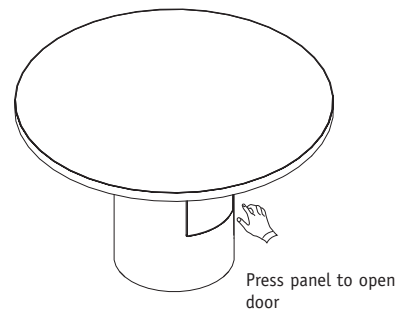
Figure B



3

To open wire management door on side of Cylinder, press in on the panel to engage the touch latch (Figure C).

Figure C



Assembly Instructions

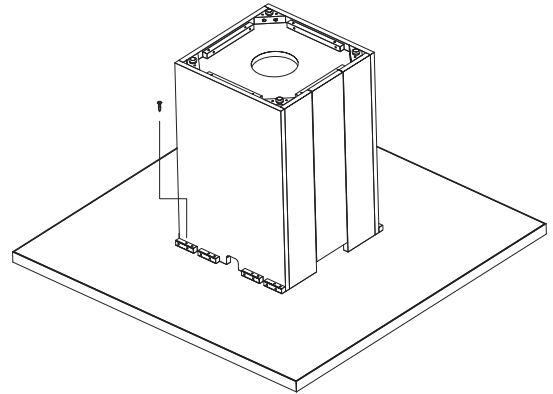
Cylinder Base Square Base

Square Bases

1

Mount the Square Base to the underside of the top. Measure in from four (4) points on the underside of the table to find the center point. Attach base with the (12) #8 x 1 1/4" PH screws provided. Tighten screws firmly, but do not over-tighten. (Figure D).

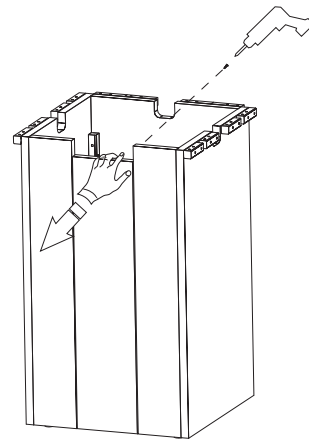
Figure D



2

To remove the access panel, first remove the shipping screw, with a phillips head screw driver. Then grab at the top and pull (Figure E).

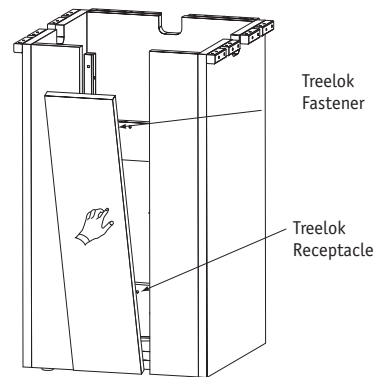
Figure E



3

To re-install access panel, align the treelok fasteners on the access panel to the receptacles on the wood support. Push in to engage (Figure F).

Figure F



Press panel to close

Note: Glides are pre-installed on Square base. Adjust glides as necessary to level unit. Check with a level.