

1

Base Placement Chart

Table Length (in)	Square and Round Bases		Queen Anne, Thick Panel Bases, and Kits		FIGURES
	A	B	A	B	
240	30	9	28	7	
234	29 1/4	9 3/4	27 1/4	7 3/4	
228	28 1/2	10 1/2	26 1/2	8 1/2	
222	27 3/4	11 1/4	25 3/4	9 1/4	
216	27	12	25	10	
210	26 1/4	12 3/4	24 1/4	10 3/4	
204	25 1/2	13 1/2	23 1/2	11 1/2	
198	24 3/4	14 1/4	22 3/4	12 1/4	
192	24	15	22	26	
186	23 1/4	15 3/4	21 1/4	25 1/4	
180	22 1/2	16 1/2	20 1/2	24 1/2	
174	21 3/4	17 1/4	19 3/4	23 3/4	
168	21	18	19	23	
162	20 1/4	18 3/4	18 1/4	22 1/4	
156	19 1/2	19 1/2	17 1/2	21 1/2	
150	18 3/4	20 1/4	16 3/4	20 3/4	
144	24	centered	22	centered	
138	23	centered	21	centered	
132	22	centered	20	centered	
126	21	centered	19	centered	
120	20	centered	18	centered	
114	19	centered	17	centered	
108	18	centered	16	centered	
102	17	centered	15	centered	
96	24	N/A	22	N/A	
90	22 1/2	N/A	20 1/2	N/A	
84	21	N/A	19	N/A	
78	19 1/2	N/A	17 1/2	N/A	
72	18	N/A	16	N/A	
66	16 1/2	N/A	14 1/2	N/A	

Conference and Training Solutions

Wood Queen Anne Base Nylon Queen Anne Base

Recommended Tools

- Tape Measure or Ruler
- Phillips Head Screwdriver

Package Contents Qty.

- #8 x 1 3/4" Panhead Screws per order
- #12 x 7/8" Panhead Screws per order

2

Place the worksurfaces face down on a smooth, clean, dry surface. Per Base Placement chart position bases. Attach Wood Queen Anne base (TBW-4) with twelve (12) #8 x 1 3/4" panhead screws per base (Figure A). Attach Nylon Queen Anne base (TB-4P) with eight (8) #12 x 7/8" panhead screws per base (Figure B).

Figure A

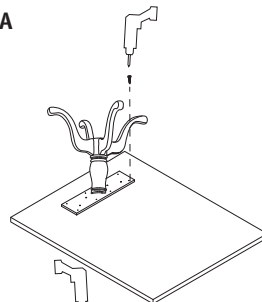
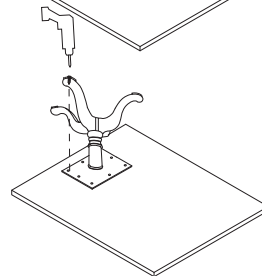


Figure B



NATIONAL Furniture with Personality™

Telephone 800.482.1717
Fax 812.482.8800
www.nationalofficefurniture.com

Part #2106949
Rev,D

Printed in U.S.A
© 2013 Kimball International, Inc.

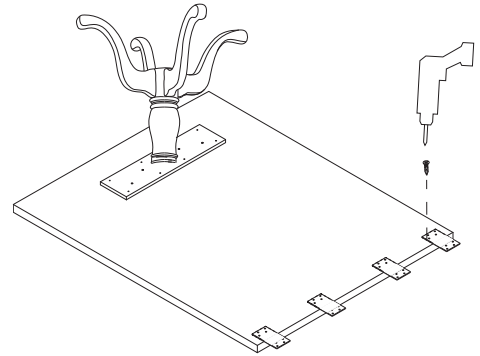
Proper product installation, in accordance with these instructions, is the responsibility of the installing agent. If you have any questions concerning these instructions, please call National Customer Service.

Assembly Instructions

Wood Queen Anne Base
Nylon Queen Anne Base

- 3** Center the mounting brackets with the edge of the worksurfaces. Attach bracket to worksurface using #10 x 3/4" panhead screws, four (4) per bracket (Figure C).
NOTE: Place brackets after bases have been applied per Base Placement Chart to ensure no interference.

Figure C



- 4** Locate Table in user position.
Two (2) Piece Worksurfaces Figure D
Three (3) Piece Worksurfaces Figure E
Align and level worksurfaces to ensure there are no gaps or cracks. Attach mounting brackets using #10 x 3/4" panhead screws, four (4) per bracket.

Figure D

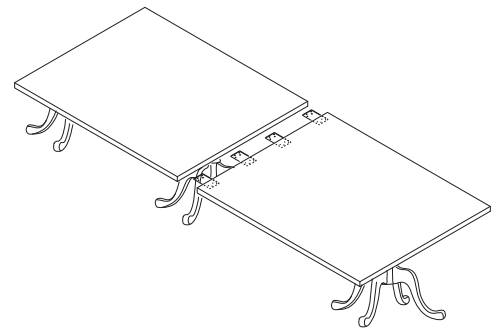


Figure E

