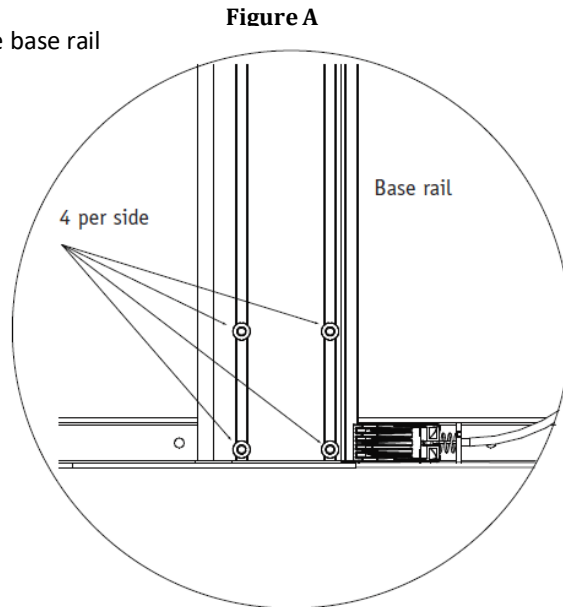


Assembly Instruction

1

Place the work surface upside down on a smooth, clean surface. Remove the 4 screws in the 4 nuts per side, that are located in the base rail grooves (Figure A).

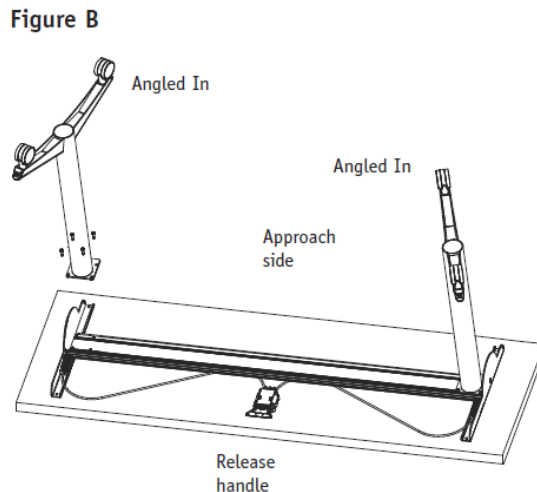


2

Align the table leg so that the legs are angled inwards on the approach side of the table, opposite the release handle. Place the table leg on the base rail, align the legs mounting plate holes with the base rails nuts. Install and

tighten the 4 screws per leg into the nuts (Figure B).

NOTE: Angling the legs allows proper nesting of the tables.



Training Table Leg Attachment & Cable Adjustment

Recommend Tools

- Hex Head screwdriver

Package Contents Qty.

- | | |
|------------------|---|
| • Table Assembly | 1 |
| • Legs | 2 |

NATIONAL

Furniture with Personality™

Telephone 800.482.1717
Fax 812.482.8800
www.NationalOfficeFurniture.com

Part # 2126815
Rev B

Printed in U.S.A.
© 2017 Kimball International, Inc.

Proper product installation, in accordance with these instructions, is the responsibility of the installing agent.

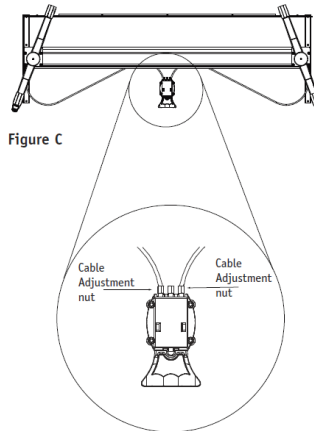
If you have any questions concerning these instructions, please call National Customer Service 800.482.1717.

Similarly, to ensure continued enjoyment and use of your product, proper product adjustment, annually and periodically as needed is the responsibility of the customer.

Assembly Instruction

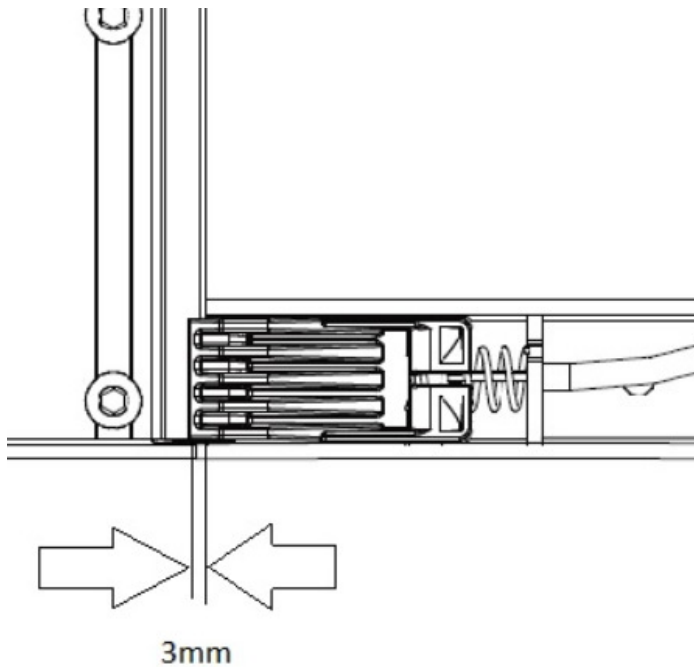
3

Cable tension can be adjusted as needed. Locate the Cable adjustment nut on the back of the Release handle. Turn Nut clockwise to tighten the tension on the Cable. Turn Nut counter clockwise to loosen the tension on the cable (Figure C).



4

Each table should be examined on an annual basis to make sure the engagement of the latches is adequate. The latch should engage the center rail a minimum of 3 millimeters. (Figure D)



Training Table Leg Attachment & Cable Adjustment

Recommend Tools

- Hex Head screwdriver

Package Contents Qty.

- | | |
|------------------|---|
| • Table Assembly | 1 |
| • Legs | 2 |

NATIONAL

Furniture with Personality®

Telephone 800.482.1717
Fax 812.482.8800
www.NationalOfficeFurniture.com

Part # 2126815
Rev B

Printed in U.S.A.
© 2017 Kimball International, Inc.

Proper product installation, in accordance with these instructions, is the responsibility of the installing agent.

If you have any questions concerning these instructions, please call National Customer Service 800.482.1717.

Similarly, to ensure continued enjoyment and use of your product, proper product adjustment, annually and periodically as needed is the responsibility of the customer.