

1

Base Placement Chart

Table Length (in)	Square and Round Bases		Queen Anne, Thick Panel Bases, and Kits		FIGURES
	A	B	A	B	
240	30	9	28	7	<p>For 240" to 198"</p>
234	29 1/4	9 3/4	27 1/4	7 3/4	
228	28 1/2	10 1/2	26 1/2	8 1/2	
222	27 3/4	11 1/4	25 3/4	9 1/4	
216	27	12	25	10	
210	26 1/4	12 3/4	24 1/4	10 3/4	<p>For 192" to 150"</p>
204	25 1/2	13 1/2	23 1/2	11 1/2	
198	24 3/4	14 1/4	22 3/4	12 1/4	
192	24	24	22	26	
186	23 1/4	23 1/4	21 1/4	25 1/4	<p>For 144" to 102"</p>
180	22 1/2	22 1/2	20 1/2	24 1/2	
174	21 3/4	21 3/4	19 3/4	23 3/4	
168	21	21	19	23	
162	20 1/4	20 1/4	18 1/4	22 1/4	<p>For 96" to 66"</p>
156	19 1/2	19 1/2	17 1/2	21 1/2	
150	18 3/4	18 3/4	16 3/4	20 3/4	
144	24	centered	22	centered	
138	23	centered	21	centered	<p>For 144" to 102"</p>
132	22	centered	20	centered	
126	21	centered	19	centered	
120	20	centered	18	centered	
114	19	centered	17	centered	<p>For 96" to 66"</p>
108	18	centered	16	centered	
102	17	centered	15	centered	
96	24	N / A	22	N / A	
90	22 1/2	N / A	20 1/2	N / A	<p>For 96" to 66"</p>
84	21	N / A	19	N / A	
78	19 1/2	N / A	17 1/2	N / A	
72	18	N / A	16	N / A	
66	16 1/2	N / A	14 1/2	N / A	

Conference and Training Solutions Thick Panel Base

Recommended Tools

- Tape Measure or Ruler
- Phillips Head Screwdriver
- Allen Wrench

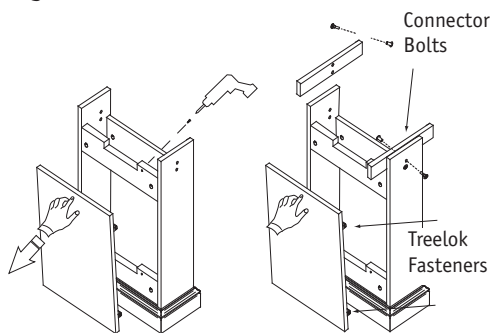
Package Contents Qty.

- #8 x 1 3/4" Panhead Screws per order
- #10 x 2 1/2" Panhead Screws per order
- Connector Bolt per order

2

To remove access panel, first remove the shipping screw, with a phillips head screw driver (Figure A). To reinstall access panel, align the treelok fasteners on the access panel to the receptacles on the wood support rails. Push in to engage (Figure A).

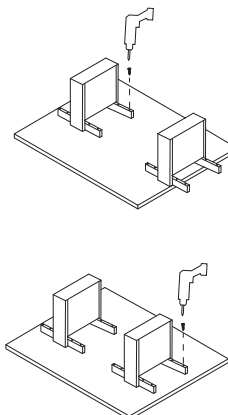
Figure A



3

Align connecting holes in the cleat to the base. Attach together using two (2) connector bolts per cleat (Figure A). Insert half of a connector bolt into one connecting hole, insert the other half into the opposite connecting hole. Tighten all bolts with an Allen wrench.

Figure B



4

Place the worksurfaces face down on a smooth, clean, dry surface. Per Base Placement Chart position bases, attach each Thick panel base with eight (8) #10 x 2 1/2" panhead screws (Figure B).

Proper product installation, in accordance with these instructions, is the responsibility of the installing agent. If you have any questions concerning these instructions, please call National Customer Service.

NATIONAL Furniture with Personality

Telephone 800.482.1717
Fax 812.482.8800
www.nationalofficefurniture.com

Part #2182457
Rev,D

Printed in U.S.A
© 2014 Kimball International, Inc.

Assembly Instructions

Thick Panel Base

- 5** Center the mounting brackets with the edge of the worksurfaces. Attach bracket to worksurface using #10 x 3/4" panhead screws, four (4) per bracket (Figure C). **NOTE:** Place brackets after bases have been applied per Base Placement Chart to ensure no interference.

Figure C

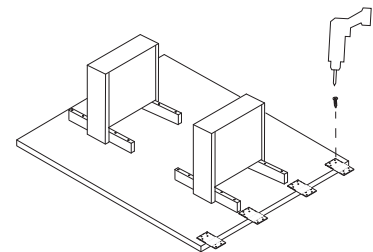
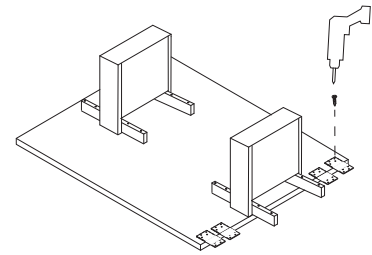


Figure D

- 6** Locate Table in user position. **Two (2) Piece Worksurfaces Figure D or Figure E**
Three (3) Piece Worksurfaces Figure F
Align and level worksurfaces to ensure there are no gaps or cracks. Attach mounting brackets using #10 x 3/4" panhead screws, four (4) per bracket.

NOTE: Install all electrical wiring. Ensure all conduct and wiring are securely tethered using zip-ties or other fasteners to prevent them from applying force to the back side of the doors

Figure E

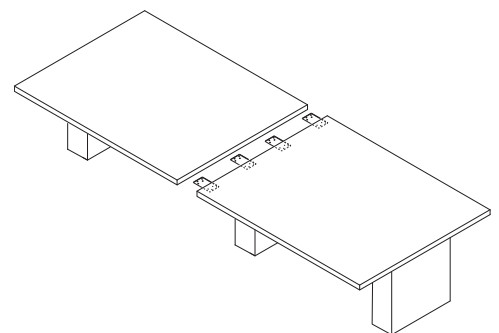


Figure F

