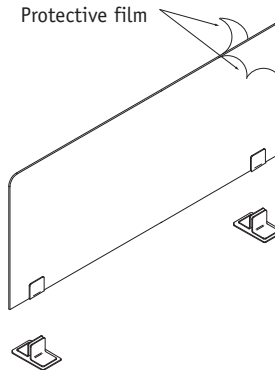


ASSEMBLY INSTRUCTIONS

1

Remove the protective film from both sides of the privacy screen panel. Align the pads on the privacy screen panel to the bases (Figure A). **NOTE:** A 48" Unit has (3) pads and bases.

Figure A



2

Position the privacy screen either on a single unit as shown in (Figure B), When the privacy screen is positioned between (2) units, divide the bases to sit on each unit (Figure C) **NOTE:** When sitting between (2) units, ensure both units are flush and level.

Figure B

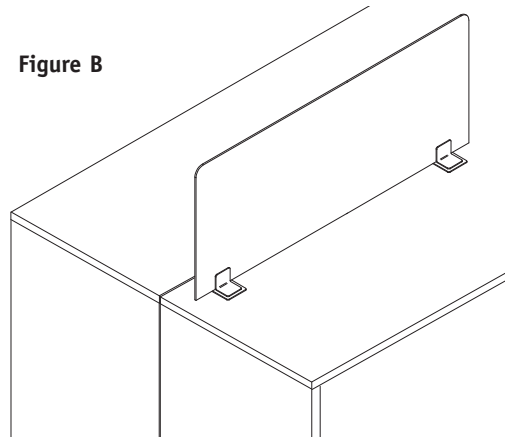


Figure C

Level both units

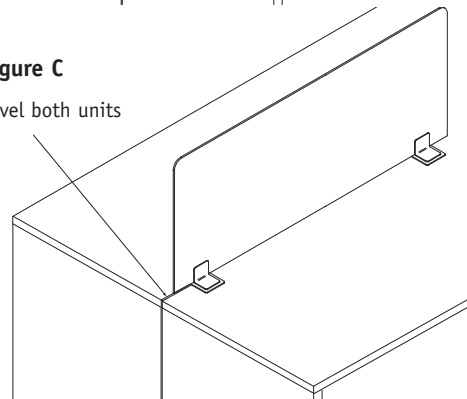
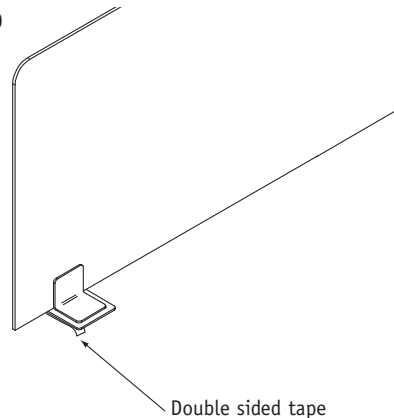


Figure D



3

Double sided tape is supplied if the placement is intended to be permanent.

CAUTION: The double sided tape is a very strong adhesive and bonds instantly to the surface it is applied to.

Note: Do not store or place the panel in a upright position other than as shown or flat. Improper storage could cause a permanent bow to set into the panel

Renegade PRIVACY SCREEN

Recommend Tools Qty.
• Level

Package Contents Qty.
• Unit 1
• Double sided tape 1

NATIONAL

Furniture with Personality[®]

Telephone 800.482.1717
Fax 812.482.8800
www.NationalOfficeFurniture.com

Part #2251318
Rev,-

Printed in U.S.A
© 2010 Kimball International, Inc.

Proper product installation, in accordance with these instructions, is the responsibility of the installing agent. If you have any questions concerning these instructions, please call National Customer Service 800.482.1717.