

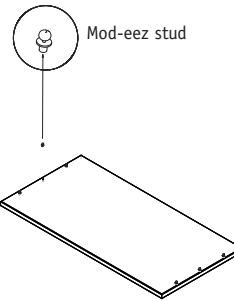
## Assembly Instruction

**Note:** This Instruction shows a Right handed unit.  
Determine which unit you need then Assemble accordingly.

1

Turn the worksurface face down on a smooth, hard surface. Screw the Mod-eez studs into the pre-drilled holes (Figure A).

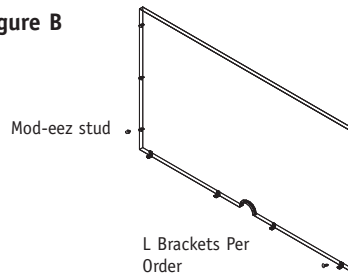
Figure A



2

Screw the L-Brackets and Mod-eez studs into the pre-drilled holes (Figure B).  
**Note:** This Instruction shows a Right handed unit. Determine which unit you need then Assemble accordingly.

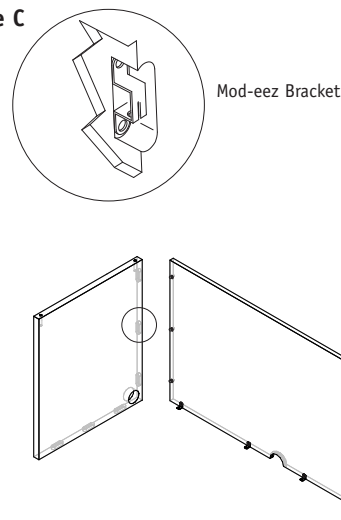
Figure B



3

Attach End panel to the Modesty by placing the End panel over the Mod-eez studs on the Modesty panel and slide up or down until the top of the Modesty panel is even with the top of the End panel. Once assembled, there should be no gaps between either panel.

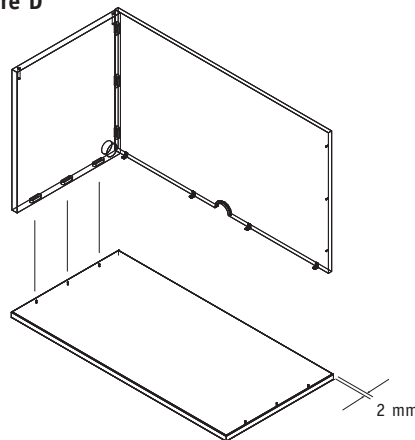
Figure C



4

Lift the end and modesty panel assembly and attach it to the worksurface by inserting the Mod-eez studs into the corresponding holes in the Mod-eez brackets in the End panel. Using the 5/8" x #8 PH Screws, attach the L Brackets on the modesty panel to the worksurface, holding a 2mm margin (Figure D).

Figure D



## Shell Return Assembly

### Recommended Tools

- Phillips Head Screw Driver

### Package Contents

|                            | Qty.      |
|----------------------------|-----------|
| • #8 x 5/8" Panhead Screws | Per Order |
| • Mod-eez Studs            | Per Order |
| • L Brackets               | Per Order |

# NATIONAL™

Telephone 800.482.1717  
Fax 812.482.8800  
www.NationalOfficeFurniture.com

Part #2258931  
Rev,-

Printed in U.S.A  
© 2010 Kimball International, Inc.

Proper product installation, in accordance with these instructions, is the responsibility of the installing agent. If you have any questions concerning these instructions, please call National Customer Service 800.482.1717.