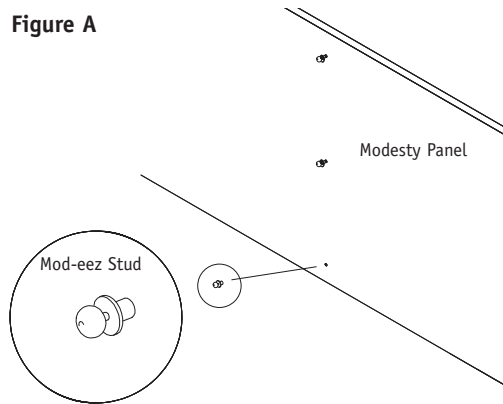


Assembly Instruction

Note: A support panel is used to provide added support in the center of long work-surfaces. These are required when knee-space area is 60" or more.

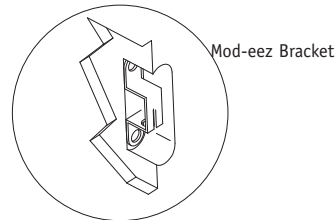
1 Locate the Mod-eez studs. Screw the Mod-eez studs into the pre-drilled holes in the modesty panel (Figure A).

Figure A



2 Locate the Mod-eez brackets on the support panel (Figure B).

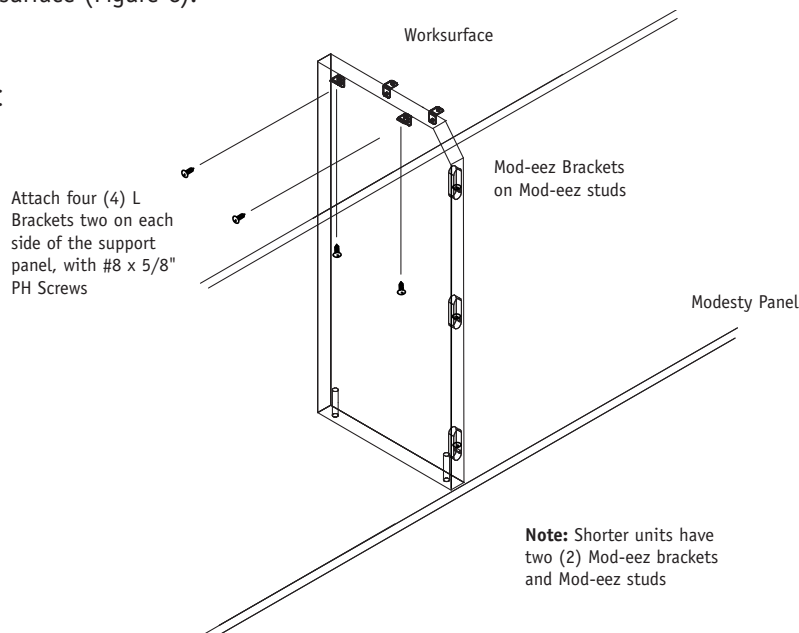
Figure B



3 Attach support panel to the Modesty by placing the support panel over the Mod-eez studs on the Modesty panel and slide up until the bottom of the Worksurface is even with the top of the support panel. Once assembled, there should be no gaps between either panel (Figure C).

4 Using the 5/8" x #8 PH Screws, attach the L Brackets to the Support panel and the worksurface (Figure C).

Figure C



Support Panel

Recommended Tools

- Phillips Head Screw Driver

Package Contents

	Qty.
• #8 x 5/8" Panhead Screws	8
• L Brackets	4
• Mod-eez stud	3

NATIONAL™

Telephone 800.482.1717
 Fax 812.482.8800
 www.NationalOfficeFurniture.com

Part #2258933
 Rev,-

Printed in U.S.A
 © 2010 Kimball International, Inc.

Proper product installation, in accordance with these instructions, is the responsibility of the installing agent. If you have any questions concerning these instructions, please call National Customer Service 800.482.1717.