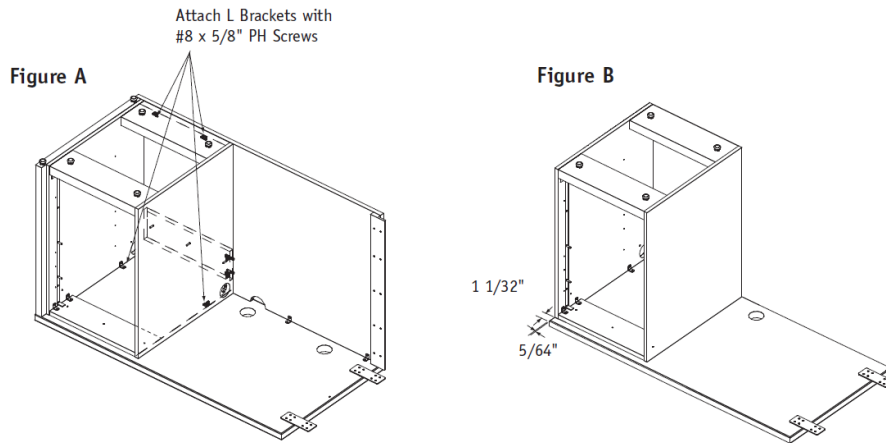


Assembly Instruction

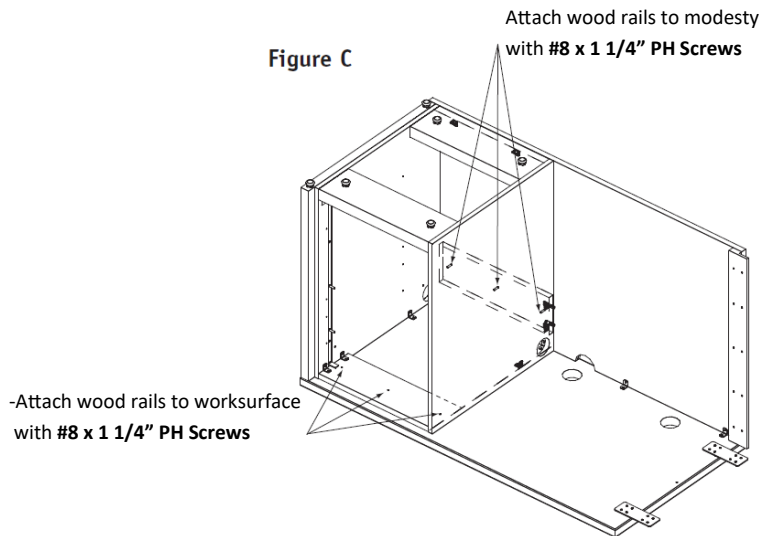
1 Place work surface upside down on a smooth, hard surface. If applicable remove drawer from component pedestal and position it accordingly. If attaching component pedestal to a shell desk or return, align the pedestal flush against the end and modesty panels (Figure A).

If attaching the pedestal to a work surface only with no modesty or end panel, then position 1 1/32" from user edge of work surface and 5/64" from end of work surface (Figure B).

2 Using a Screwdriver attach the L-brackets with the #8 x 5/8" PH screws (Figure A).



3 Using a Screwdriver attach the wood rail with the #8 X 1 1/4" PH screws into the Worksurface. Attach the wood rail to the modesty with #8 X 1 1/4" PH screws (Figure C).



4 Place unit in upright user position.

Component Pedestal

Tools Required

- Phillips Head Screw Driver

Package Contents

Package Contents	Qty.
• #8 x 5/8" Panhead Screws	Per Order
• #8 x 1 1/4" Panhead Screws	Per Order

NATIONAL

Furniture with Personality™

Telephone 800.482.1717
Fax 812.482.8800
www.NationalOfficeFurniture.com

2258935
Rev. C

Proper product installation, in accordance with these instructions, is the responsibility of the installing agent. If you have any questions concerning these instructions, please call National Customer Service 800.482.1717.