

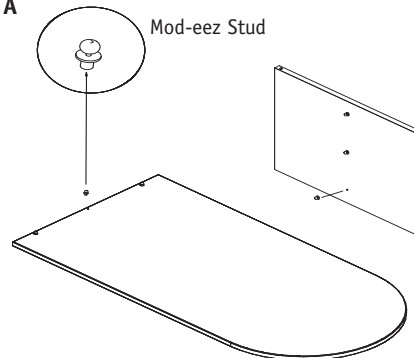
## ASSEMBLY INSTRUCTIONS

**Note:** P-tops, J-tops and U-Tops can be configured either as work returns or as desking elements. These tops should never be used as freestanding units.

**1**

Turn the worksurface and end panel face down on a smooth, hard surface. Screw the Mod-eez studs into the pre-drilled holes (Figure A).

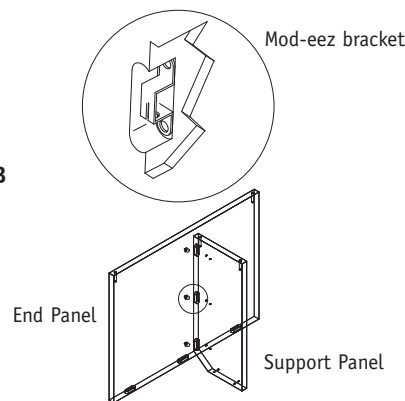
**Figure A**



**2**

Attach the Support panel to the End panel by placing the Support panels Mod-eez bracket over the Mod-eez studs of the End panel. Slide the Support panel until the top of two panels are flush (Figure B). Once assembled, there should be no gaps between either panel.

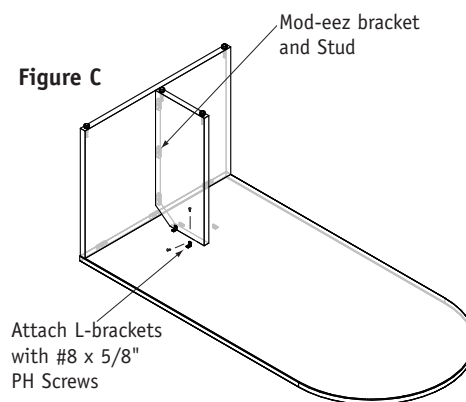
**Figure B**



**3**

Lift the End panel Support panel assembly and attach it to the worksurface by inserting the Mod-eez studs into the corresponding holes in the Mod-eez brackets. Using the 5/8" x #8 PH screws, attach the L brackets to the Support panel and worksurface (Figure C).

**Figure C**

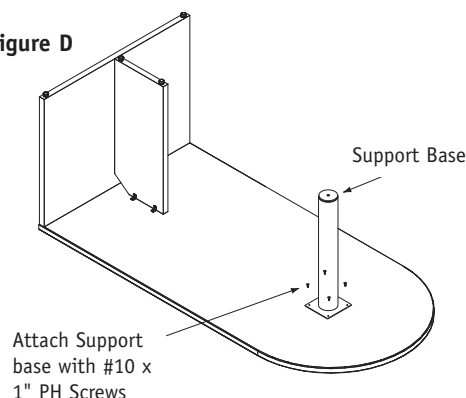


**4**

Attach metal Support base to P-Top, J-Top or U-Top, in the approximate center of the arch (Figure D).

Place unit in the upright user position.

**Figure D**



### P-Top, J-Top and U-Top without Modesty Panel and with Modesty Panel

#### Recommended Tools

- Tape measure
- Screw Gun
- #2 Phillips Head Bit
- Level

#### Package Contents Qty.

##### With Modesty

- L-Brackets Per Order
- #8 x 5/8" Pan Head Screw Per Order
- #8 x 1" Pan Head Screw Per Order
- Mod-eez Stud Per Order

##### Without Modesty

- L-Brackets Per Order
- #8 x 1" Pan Head Screw Per Order
- #8 x 5/8" Pan Head Screw Per Order
- Mod-eez Stud Per Order

**NATIONAL**™

Telephone 800.482.1717  
Fax 812.482.8800  
www.NationalOfficeFurniture.com

Part #2258936  
Rev,-

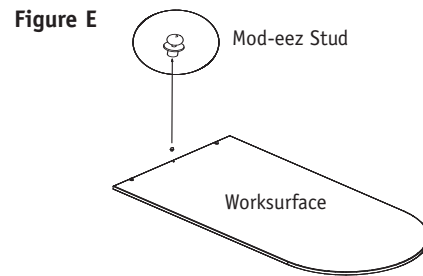
Printed in U.S.A  
© 2010 Kimball International, Inc.

Proper product installation, in accordance with these instructions, is the responsibility of the installing agent. If you have any questions concerning these instructions, please call National Customer Service 800.482.1717.

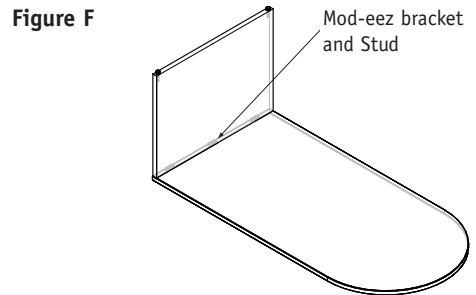
## ASSEMBLY INSTRUCTIONS

### Full Modesty Unit

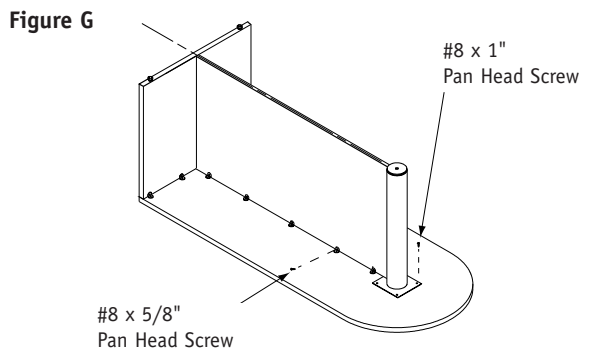
**4** Turn the worksurface face down on a smooth, hard surface. Screw the Mod-eez studs into the pre-drilled holes (Figure E).



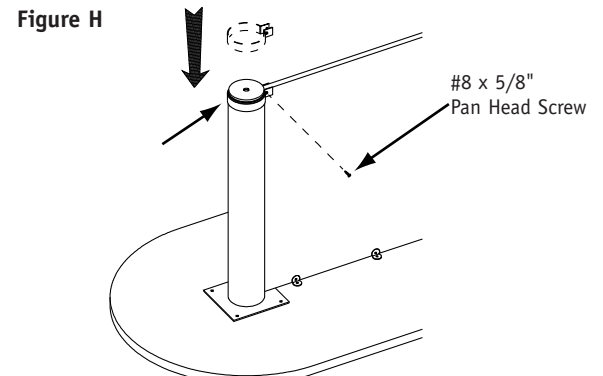
**5** Attach the End panel to the worksurface by inserting the Mod-eez studs into the corresponding holes in the Mod-eez brackets (Figure F).



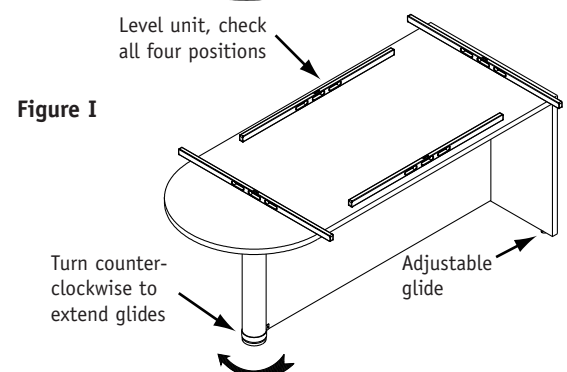
**6** Using #8 x 5/8" PH screws attach the L brackets to the Modesty panel. Position the Modesty panel and metal support base in the center of the End panel and Worksurface. Using #8 x 5/8" PH screws attach the L brackets to the worksurface. Using #8 x 1" PH screws attach metal support base to the worksurface (Figure G).



**7** Slide the support base bracket over the base, attach using #8 x 5/8" PH screws one on each side (Figure H).



**8** Turn unit right side up and level by extending the two (2) adjustable glides in the end panel and one (1) 4" glide on the Metal support base (Figure I).



### P-Top, J-Top and U-Top without Modesty Panel and with Modesty Panel