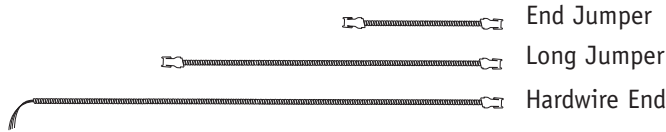


Daisy Chaining

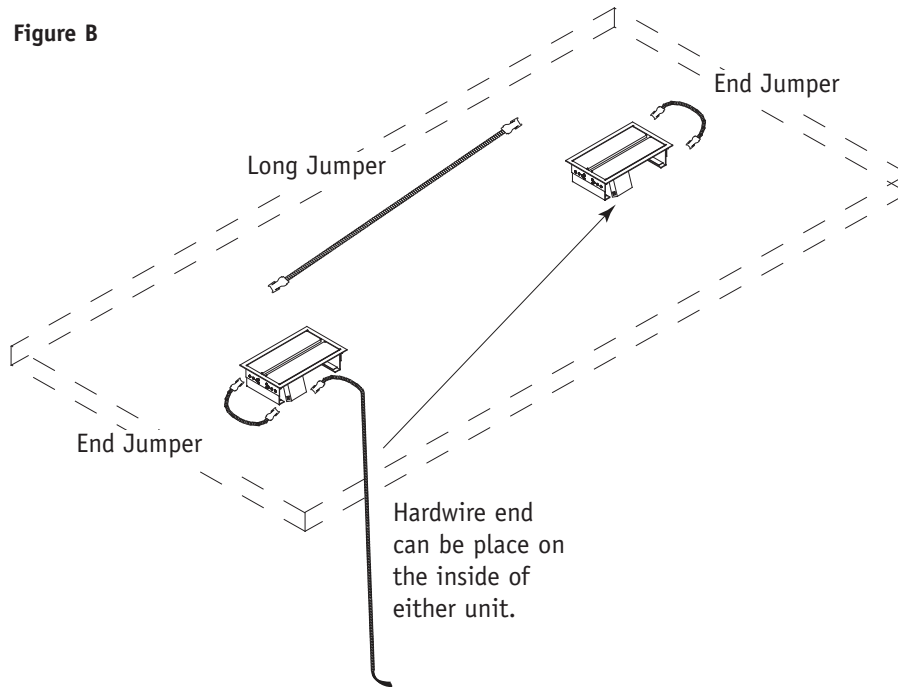
1 There are three (3) types of jumpers to Hard wire a Power Data unit (Figure A). This instruction shows how to assemble the different configurations.

Figure A



2 Figure B shows where to place the jumpers for two (2) Power Data Units.

Figure B



3 Figure C shows where to place the jumpers for three (3) Power Data Units.

Recommended Tools

- None

Package Contents

	Qty.
• Power Data Unit	per order
• Long Jumper	per order
• End Jumper	2
• Hardwire End	1

NATIONAL | Furniture with Personality™

Telephone 800.482.1717
 Fax 812.482.8800
 www.NationalOfficeFurniture.com

Part #2258942
 Rev,-

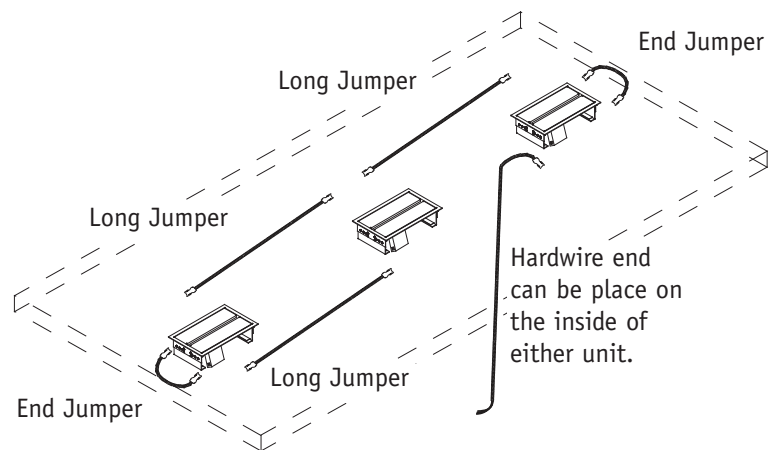
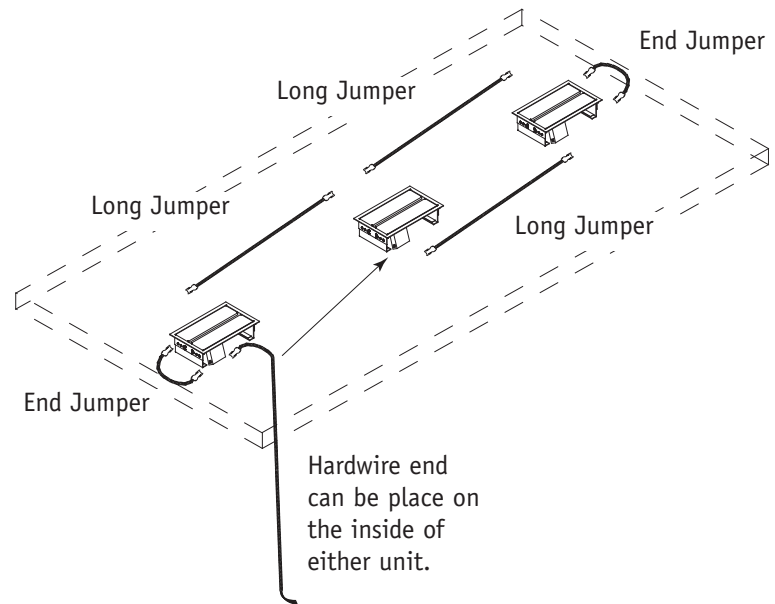
Printed in U.S.A
 © 2010 Kimball International, Inc.

Proper product installation, in accordance with these instructions, is the responsibility of the installing agent. If you have any questions concerning these instructions, please call National Customer Service 800.482.1717.

Assembly Instructions

Daisy Chaining

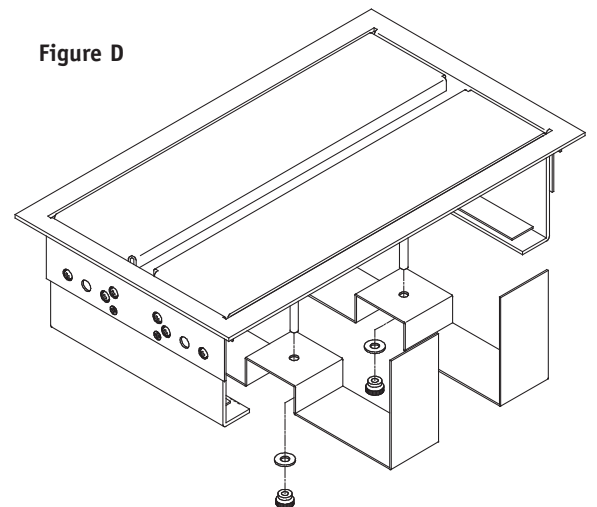
Figure C



4

Once all jumpers are in place, attach brackets to the Units (Figure D).

Figure D



Proper product installation, in accordance with these instructions, is the responsibility of the installing agent. If you have any questions concerning these instructions, please call National Customer Service 800.482.1717.