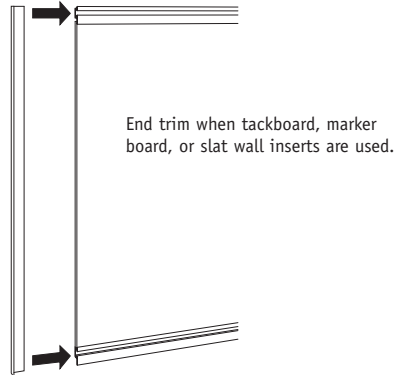


Assembly Instruction

Exhibit™ End Trim

Note: End trim should be installed before the faceplate is applied to the wall rail. The wall rail fasteners may need to be loosened to install the end trim.

Figure A

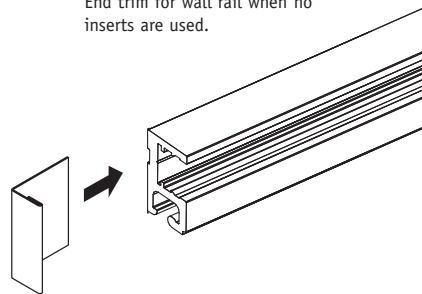


1

Slide the end trim behind the installed wall rail (Figure A and Figure B).

Figure B

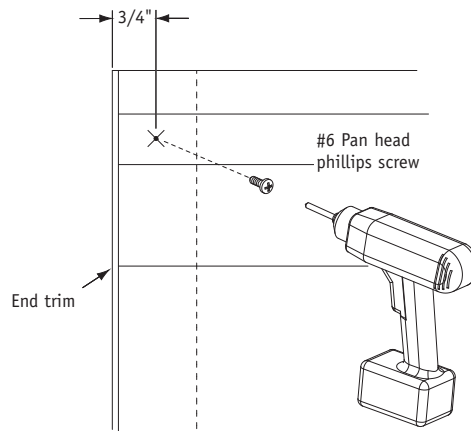
End trim for wall rail when no inserts are used.



2

Attach the end trim to the wall rail with #6 Pan Head Phillips screw (Figure C). Tighten wall rail fasteners if loosened.

Figure C



Package Contents	Qty.
• #6 x 1/2" Pan Head Phillips Screws	Per Order

NATIONAL

Furniture with Personality®

Telephone 800.482.1717
Fax 812.482.8800
www.NationalOfficeFurniture.com

Part #2258948
Rev,-

Printed in U.S.A
© 2011 Kimball International, Inc.

Proper product installation, in accordance with these instructions, is the responsibility of the installing agent. If you have any questions concerning these instructions, please call National Customer Service.