

Assembly Instruction

Exhibit™ Slat Wall Tile Insert

Recommend Tools

- Tape Measure
- Screw Gun (if needed)

Package 1 Contents Qty.

- Slat Wall Assm 1

NATIONAL

Furniture with Personality®

Telephone 800.482.1717

Fax 812.482.8800

www.NationalOfficeFurniture.com

Part # 2258950

Rev, B

Printed in U.S.A

© 2015 Kimball International, Inc.

NOTE: MUST INTALL SLAT WALL INTO EXHIBIT WALL RAILS FIRST WHEN USING IN COMBINATION WITH MIO EXHIBIT BASE AND WORKSURFACE.

1

Tilt top of panel forward and insert Anti-Dislodgement bracket located at top end of end trim into notch provided along underside of top rail (**Fig. A**). Once brackets are inserted push bottom of panel against wall (**Fig. B1 and B2**) and set panel on lower rail.

Note: Loosen Wall Rail if needed to insert bracket behind notch and then tighten once in place.

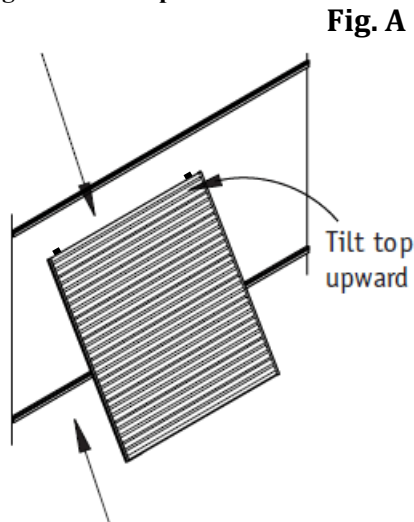


Fig. A

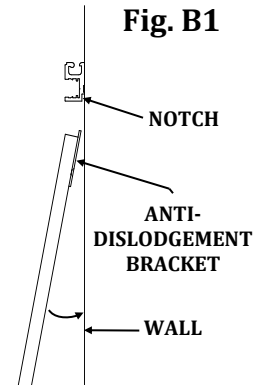


Fig. B1

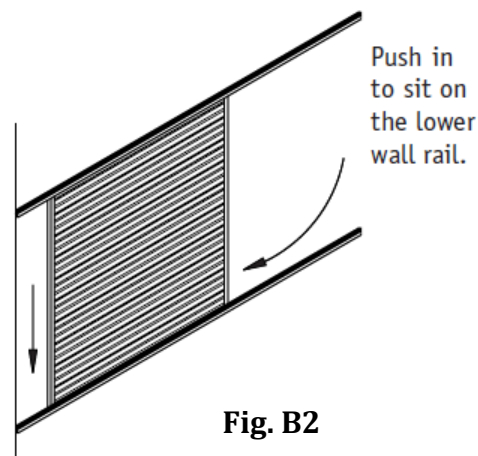


Fig. B2

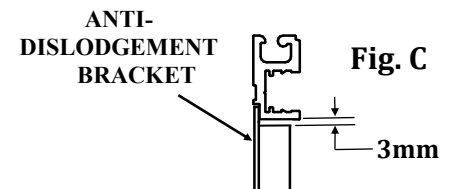


Fig. C

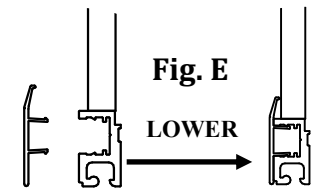


Fig. E

INSTALL BOTTOM FACE PLATE BEFORE INSTALLING TOP FACE PLATE TO SECURE PANEL INTO PLACE

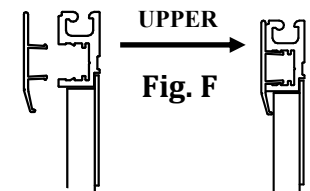


Fig. F

2

ANTI DISLODGE-MENT BRACKETS MUST BE INSERTED INTO NOTCH BEHIND

WALL RAIL BEFORE PROCEEDING. HOLD DISTANCE OF 3MM OR LESS FROM TOP EDGE OF PANEL TO BOTTOM EDGE OF WALL RAIL (Fig. C).

Once panel has been positioned into place (**Fig. D**), and sitting on lower wall rail, install bottom face plate (**Fig. E**) first, then install upper face plate (**Fig. F**).

Proper product installation, in accordance with these instructions, is the responsibility of the installing agent. If you have any questions concerning these instructions, please call National Customer Service 800.482.1717.