

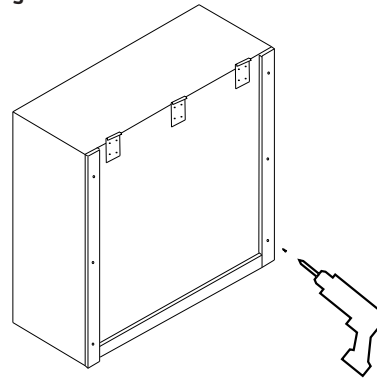
**WaveWorks®
Overhead Storage
Exhibit Mount**

1

Determine if overhead will be mounted over the tackboard, markerboard or slat wall inserts or directly to the wall. If directly to the wall, attach the filler strip kit with six (6) 1 1/8" pan head phillips screws (Figure A).

Note: The Filler Strip kit must be field scribed for 18" high overhead models.

Figure A

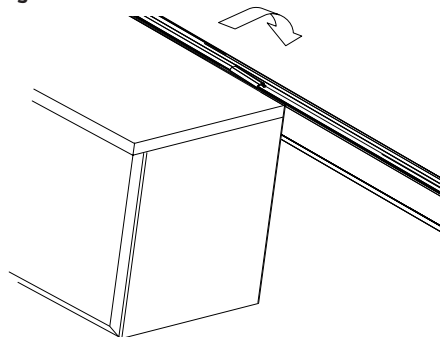


2

Using two (2) or more people, attach the overhead to the wall rail by tilting and engaging the brackets into the channel in the slot on top of the upper wall rail (Figure B).

Note: Brackets are already installed on the Overhead unit.

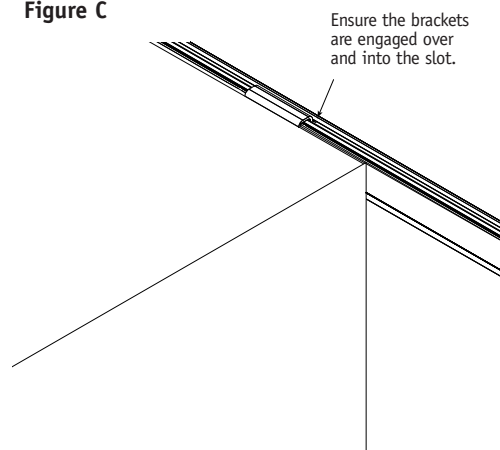
Figure B



3

Caution: Inspect the brackets to ensure they are properly engaged over and under the wall rail (Figure C).

Figure C



Recommended Tools

- Screwdriver

Package Contents

Qty

- Overhead Unit Per Order
- Filler Strip Kit Per Order

NATIONAL

Furniture with Personality®

Telephone 800.482.1717
Fax 812.482.8800
www.nationalonline.com

Part # 2258954
Rev,-

Printed in U.S.A
© 2011 Kimball International, Inc.

Proper product installation, in accordance with these instructions, is the responsibility of the installing agent. If you have any questions concerning these instructions, please call National Customer Service.