

ASSEMBLY INSTRUCTIONS

Tables H Base

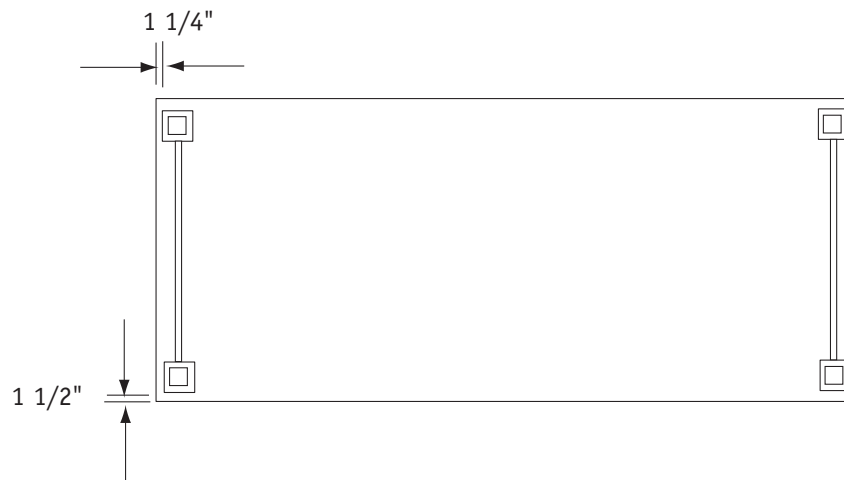
1

Note: These instructions explain basic installation of table legs to worksurfaces. For safety purposes, it is recommended that more than one person be used to move worksurfaces and/or assembled tables.

Unpack the worksurface and place it face down on a smooth, hard surface. Take care to not damage the worksurface.

2

Determine the length of the worksurface and use the tape measure to mark the position of the legs or leg sets based on the dimensions shown in Figure A.



Recommended Tools

- Screw Gun
- Phillips Bit
- Tape Measure
- Pencil or other erasable marker

Package Contents

- | | Qty. |
|---------------------------|-----------|
| • H-Style Leg Set | per order |
| • 12 x 1" Pan Head Screws | per order |

NATIONAL | Furniture with Personality™

Telephone 800.482.1717
Fax 812.482.8800
www.NationalOfficeFurniture.com

Part #2264221
Rev,A

Printed in U.S.A
© 2012 Kimball International, Inc.

Proper product installation, in accordance with these instructions, is the responsibility of the installing agent. If you have any questions concerning these instructions, please call National Customer Service 800.482.1717.

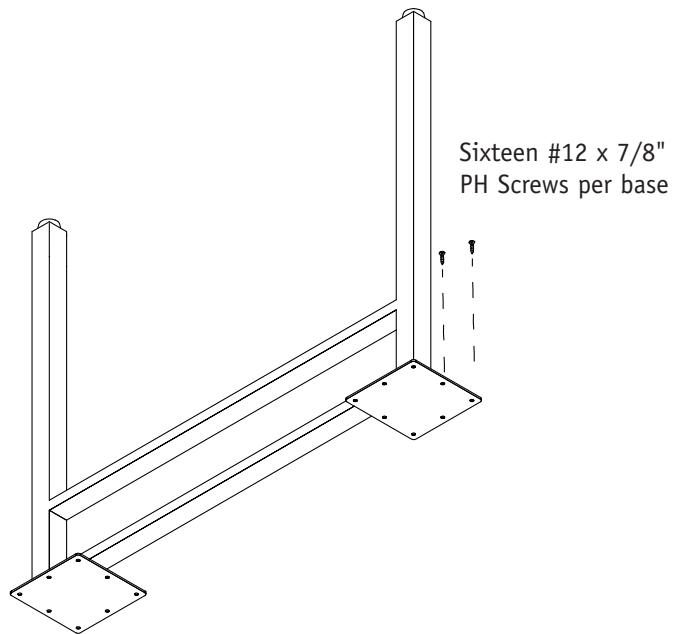
Assembly Instructions

WaveWorks® Tables H Base

- 3** Position legs or leg sets in the marked locations.
Note: It is recommended that the edges of flanges be parallel with edges of worksurface.

- 4** Attach legs or leg sets to worksurface with provided screws through each hole in leg flange (Figure B).
Tighten screws firmly but do not over-tighten.

Figure B



- 5** Carefully turn assembly upright (Figure C).

Figure C

