

ASSEMBLY INSTRUCTIONS

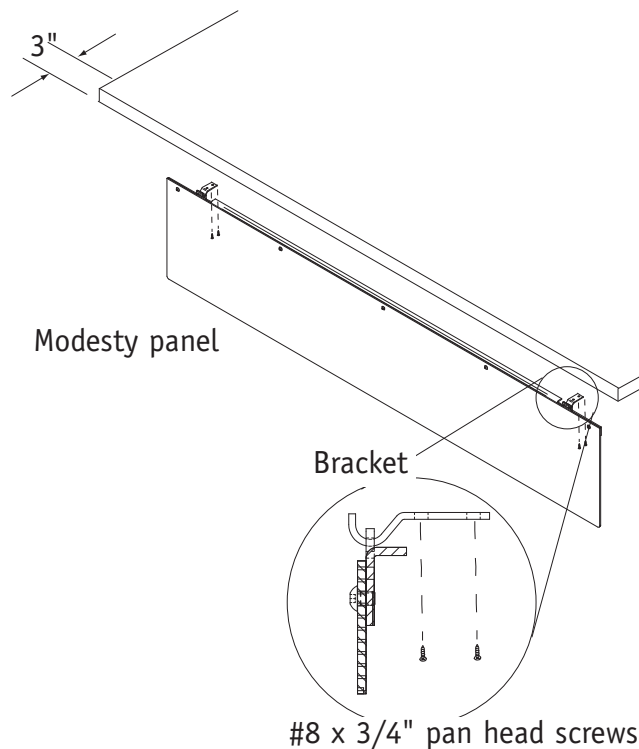
Modesty Panel

Note: Acrylic panels should never be laid on end or side. Storing the acrylic panels on end for any length of time will set a permanent bow into the panel that will be visible in its end-use position. Panels shall always be stored on a rigid, flat surface during manufacture, handling, shipment and storage.

1

Align and attach the modesty panel 3" inset from the edge of the worksurface using Four (4) #8 x 3/4" pan head screws provided (Figure A).

Figure A



Recommended Tools

- Phillips Screwdriver

Package Contents	Qty.
• Modesty Panel	1
• Brackets	2
• #8 x 3/4" Pan Head Screw	4

NATIONAL™

Telephone 800.482.1717
Fax 812.482.8800
www.nationalofficefurniture.com

Part #2283987
Rev,-

Printed in U.S.A.
© 2010 Kimball International, Inc.

Proper product installation, in accordance with these instructions, is the responsibility of the installing agent. If you have any questions concerning these instructions, please call National Customer Service 800.484.1717.