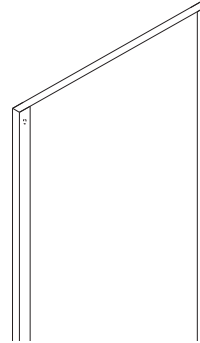


Assembly Instruction

1

Note: For laminate marker board inserts only, determine the back side of the insert by locating the holes (Figure A).

Figure A



2

Note: Faceplate should be installed on the upper wall rail. Tilt top of the insert forward and engage the top of insert behind the lip of the upper wall rail faceplate (Figure A). Push the bottom of the insert in to engage it onto the lower wall rail (Figure B).

Figure B

Engage insert behind lower of upper wall rail

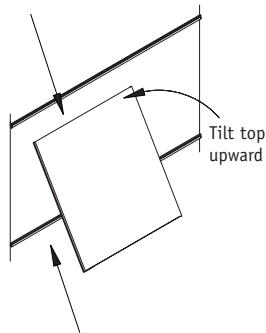
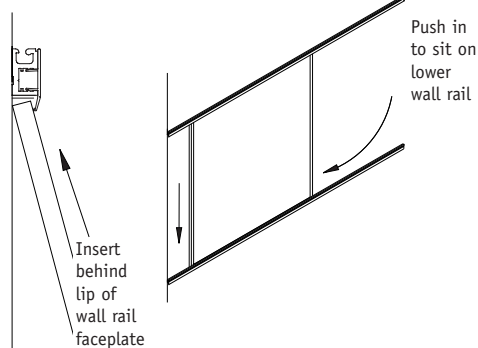


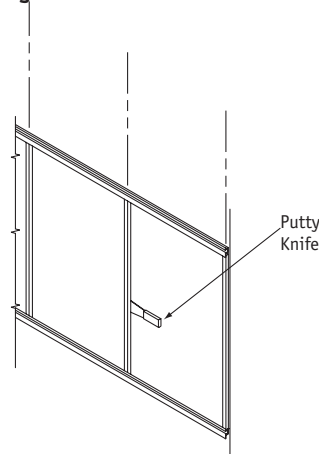
Figure C



3

Engage all inserts to complete the configuration, then install the lower faceplate onto the lower wall rail. Check faceplate and wall rail alignment to ensure there are no gaps.

Figure D



4

Using a putty knife, adjust the U channels to fill any gaps between inserts. Using a level ensure U channels are plumb (Figure D).

Exhibit™ Marker Board Insert

Recommended Tools

- Putty Knife
- Level

Package Contents

Qty.

- Marker Board Insert Per Order

NATIONAL

Furniture with Personality®

Telephone 800.482.1717
Fax 812.482.8800
www.NationalOfficeFurniture.com

Part #2322643
Rev,-

Printed in U.S.A
© 2011 Kimball International, Inc.

Proper product installation, in accordance with these instructions, is the responsibility of the installing agent. If you have any questions concerning these instructions, please call National Customer Service.