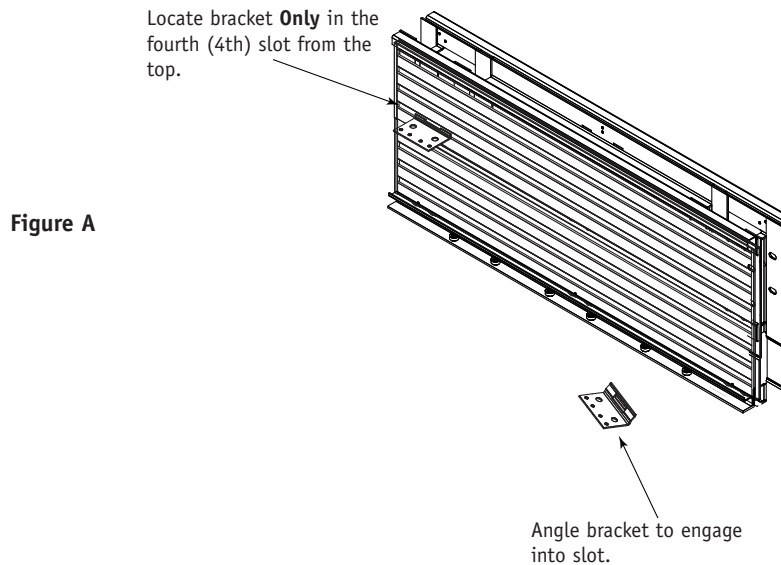


1

Note: The worksurface bracket is to be installed only in the fourth (4th) slot down from the top of the slat wall.

Angle the bracket to allow the top of the bracket to engage in behind the slot of the slat wall. Seat the tab on the back of the bracket over the lower flange of slat wall (Figure A).



Epicenter Worksurface Mounting Bracket

Recommended Tools

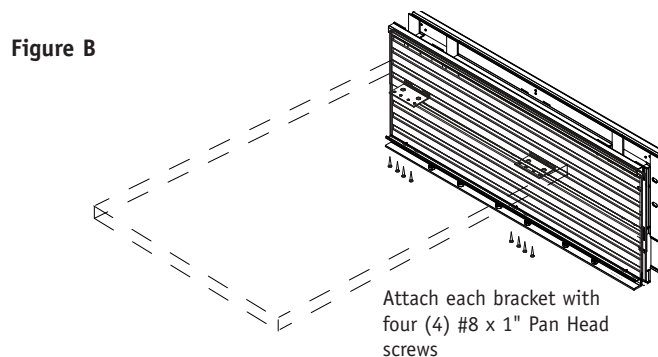
- Phillips Head Screw Driver
- Drill with 1/8" Bit

Package Contents Qty.

- Bracket 1
- #8 x 1" Pan Head Screws 4

2

In the desired location, place the worksurface on the brackets. With a drill, bore a pilot hole for each screw. Using a screwdriver, attach four (4) #8 x 1" Pan Head screws per bracket through the holes in the worksurface bracket (Figure B). **Note:** Two (2) brackets are required to attach a worksurface.



NATIONAL

Furniture with Personality®

Telephone 800.482.1717
 Fax 812.482.8800
 www.NationalOfficeFurniture.com

Part #2338468
 Rev,-

Printed in U.S.A
 © 2011 Kimball International, Inc.

Proper product installation, in accordance with these instructions, is the responsibility of the installing agent. If you have any questions concerning these instructions, please call National Customer Service 800.482.1717.