

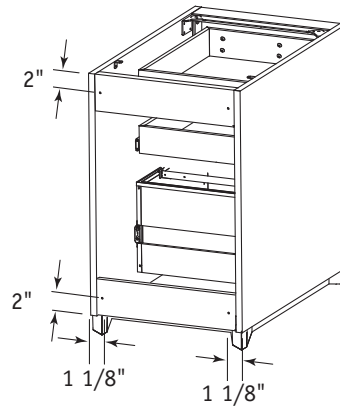
ASSEMBLY INSTRUCTIONS

Pedestal Filler Strip

1

Determine which side the pedestal needs the filler strip applied to. Bore two (2) 3/16" pilot holes through the wood rails in the back of the pedestal (Figure A).

Figure A



Recommended Tools

- Drill with 3/16" bit
- Screwdriver

Package Contents

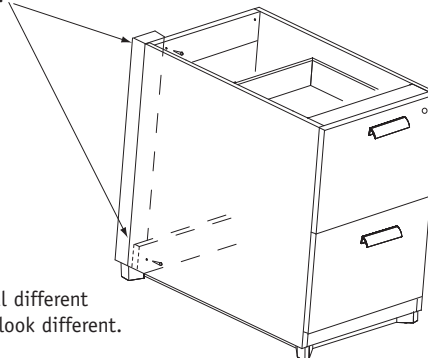
	Qty.
• Filler Strip	1
• #8 x 1 1/4" PH screw	2

2

Locate the filler strip flush to the pre-determined end of the pedestal. Attach with two (2) #8 x 1 1/4" PH screws (Figure B).

Figure B

Flush Filler Strip to end panel.
Attach with two (2) #8 x 1 1/4"
PH screws.



Note: There are several different pedestals yours could look different.

NATIONAL

Furniture with Personality®

Telephone 800.482.1717
Fax 812.482.8800
www.NationalOfficeFurniture.com

Part #2338469
Rev,-

Printed in U.S.A.
© 2011 Kimball International, Inc.

Proper product installation, in accordance with these instructions, is the responsibility of the installing agent. If you have any questions concerning these instructions, please call National Customer Care Teams.