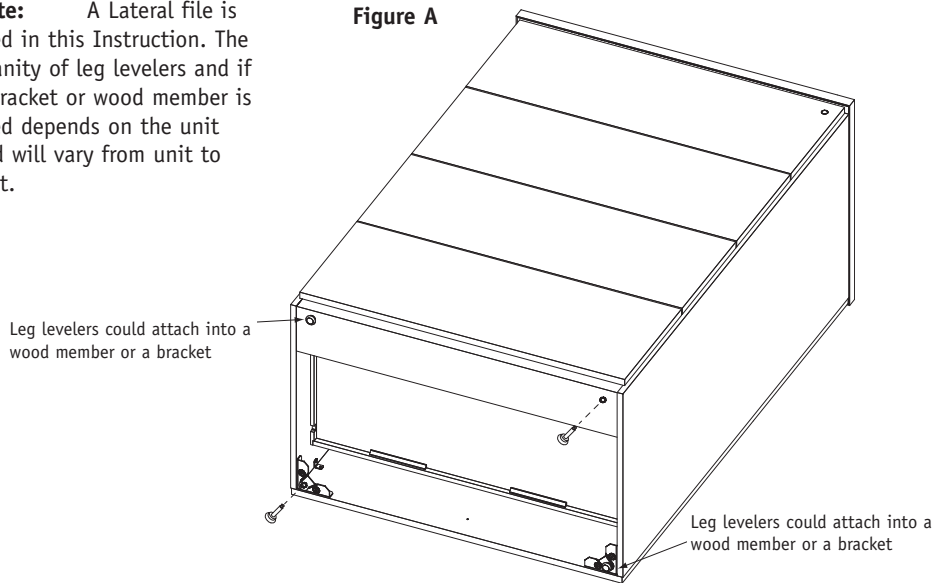


1

Note: Adjustable leg levelers for any unit should be inserted completely before placing unit in the upright user position. With two (2) capable people, safely place unit on a smooth, clean, dry surface, position unit to allow access to the T-nut/Bracket that the leg levelers are to be attached into (Figure A).

Note: A Lateral file is used in this Instruction. The quantity of leg levelers and if a bracket or wood member is used depends on the unit and will vary from unit to unit.

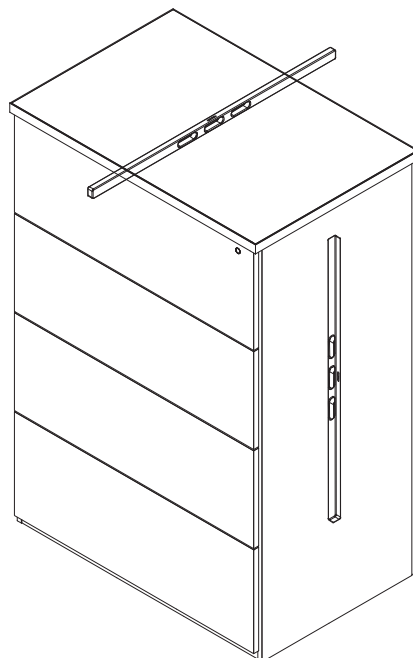
Figure A



2

With two (2) capable people, safely place the unit in the upright user position, make sure the unit is level, by using a level on the top and sides of the unit. Adjust leg levelers by screwing out or in to proper level height of mating unit or level standalone position (Figure B).

Figure B



Leg Levelers

Recommended Tools

- Level

Package Contents

Qty.

- Glides Per Order

NATIONAL

Furniture with Personality®

Telephone 800.482.1717
 Fax 812.482.8800
 www.NationalOfficeFurniture.com

Part #2351736
 Rev,-

Printed in U.S.A
 © 2011 Kimball International, Inc.

Proper product installation, in accordance with these instructions, is the responsibility of the installing agent. If you have any questions concerning these instructions, please call National Customer Service. Telephone 800.482.1717