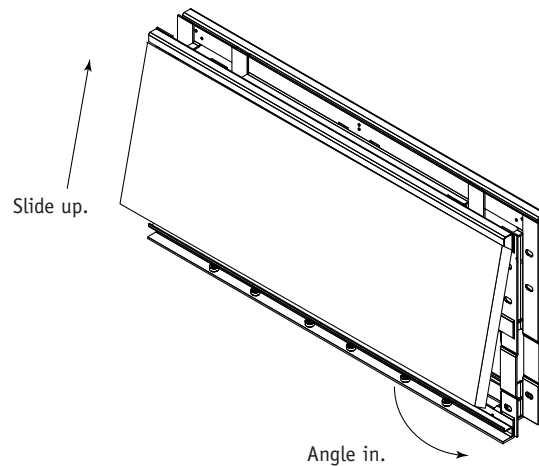


Note: If epicenter has electrical option, all electrical must be installed before the inserts.

1

Tilt and angle the insert behind the lip of the upper flange of the Epicenter until it clears the bottom lip and can drop into the bottom slot (Figure A).

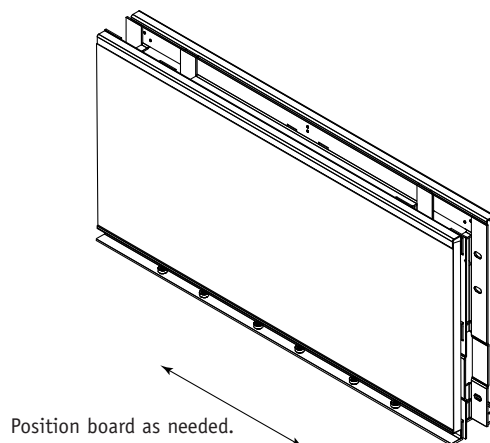
Figure A



2

Position insert as needed (Figure B).

Figure B



Epicenter Tack and Marker Board Inserts

Recommended Tools

- None

Package Contents

- Insert

Qty.

1

NATIONAL

Furniture with Personality®

Telephone 800.482.1717
Fax 812.482.8800
www.NationalOfficeFurniture.com

Part #2361051
Rev,A

Printed in U.S.A
© 2012 Kimball International, Inc.

Proper product installation, in accordance with these instructions, is the responsibility of the installing agent. If you have any questions concerning these instructions, please call National Customer Service 800.482.1717.

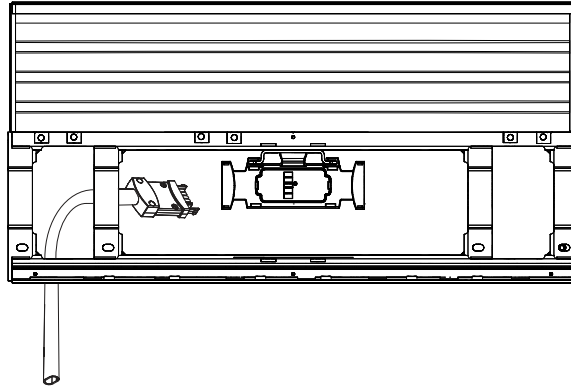
Assembly Instruction

Epicenter Tack and Marker Board Inserts

3

If the Epicenter has an electrical option, all electrical must be installed before the bottom tack board inserts (Figure C). **Note:** Depending on the configuration, the electrical can be install from the floor up or from the ceiling down.

Figure C



4

If the Epicenter is a combo Tack/Slat and has an electrical option, a plate must be installed before the inserts are. Angle the plate while aligning the tabs with the slots located between the receptacle plug. Angle the plate down into position (Figure D).

Angle and align the tabs on the plate into the slots of the epicenter at the receptacle position.

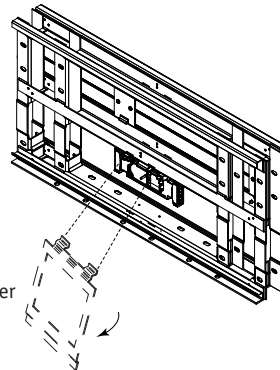
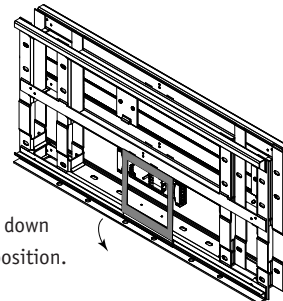


Figure D

Angle down into position.



5

If the Epicenter has an electrical option, install the receptacle by aligning it in opening while plugging it directly into the power harness.

Note: Receptacles can be installed before or after the tackboard or marker board inserts are. After the Marker board or Tack board insert is in position, the receptacle cover can be installed. Align the Receptacle cover with the opening and push in to engage the clips (Figure E).

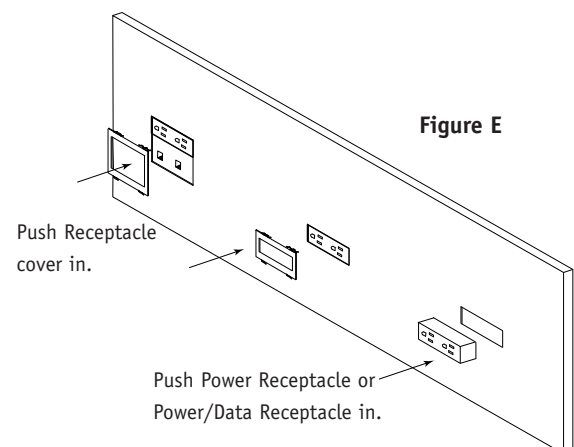


Figure E