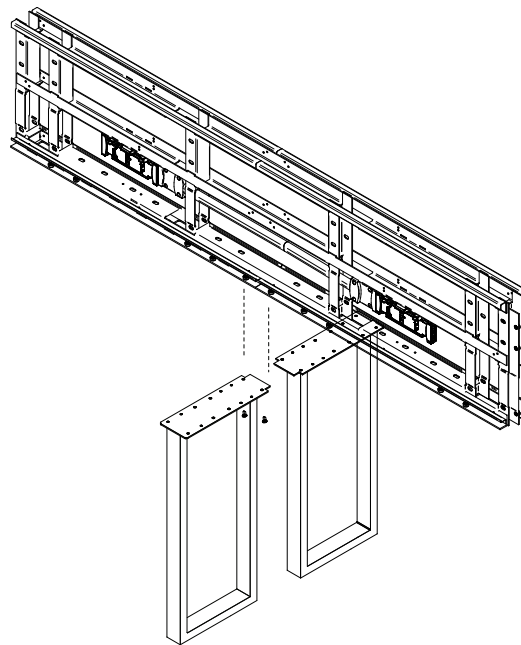


**1**

Determine how many and where to locate the support base within the configuration. Twelve inch support bases can be used in pairs to support an epicenter. Two (2) support bases may be used as shown in (Figure A). Attach each base with two (2) 1/4-20 x 1/2" bolts. **NOTE:** Hand tighten until all components are attached.

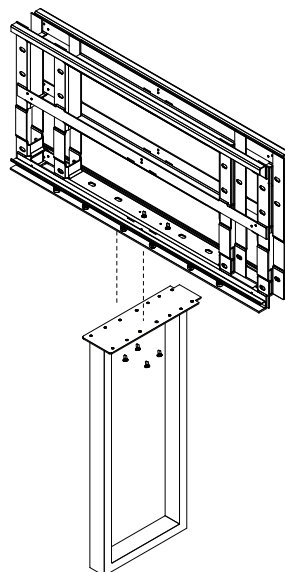
Figure A



**2**

When a single support base is used, located anywhere besides the end of an Epicenter. Position so it aligns the center of the support base at the desired location as shown in (Figure B). Attach each base with four (4) 1/4-20 x 1/2" bolts. **NOTE:** Hand tighten until all components are attached.

Figure B



## Epicenter Support Base

### Recommended Tools

- 5/32" Allen Wrench

Package Contents	Qty.
• Support Base	1
• 1/4-20 x 1/2" Bolt	4

# NATIONAL

Furniture with Personality®

Telephone 800.482.1717  
 Fax 812.482.8800  
[www.NationalOfficeFurniture.com](http://www.NationalOfficeFurniture.com)

Part #2363216  
 Rev,A

Printed in U.S.A  
 © 2012 Kimball International, Inc.

Proper product installation, in accordance with these instructions, is the responsibility of the installing agent. If you have any questions concerning these instructions, please call National Customer Service 800.482.1717.