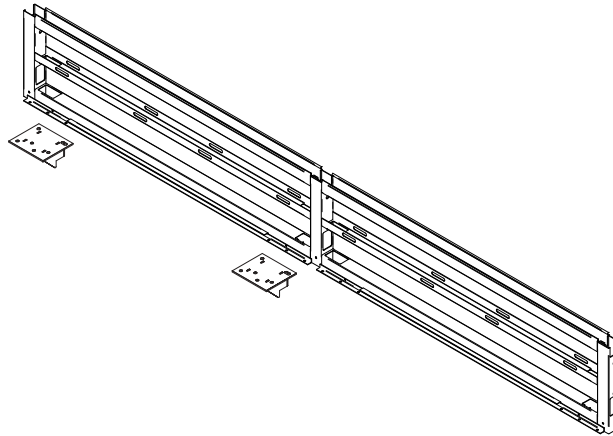


1

Determine how many and where to locate the worksurface brackets within your configuration (Figure A).

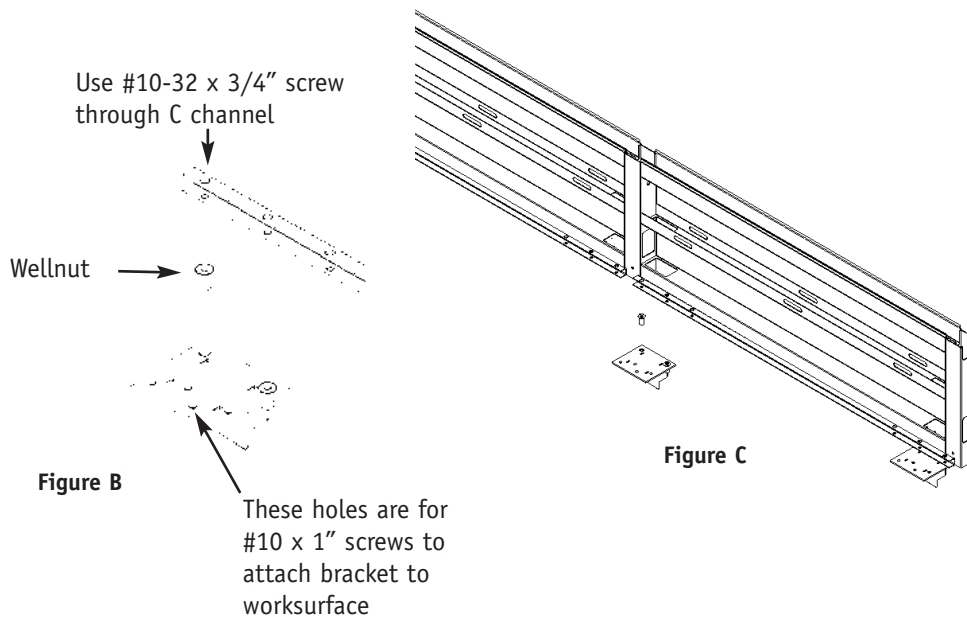
Figure A



2

Place 2 wellnuts into the holes on the bracket. Align wellnuts and bracket underneath epicenter channel holes. Use 10-32 x 3/4" screws through C channel into wellnuts. Attach (4) 10 x 1" PH screws through the holes in the plate of the worksurface bracket into the underside of the worksurface (Figure B and C).

NOTE: Start both screws in well nuts before fastening completely.



Epicenter Universal Bracket

Recommended Tools

- Phillips Head Screw Driver

Package Contents	Qty.
• Bracket	2
• 10-32 x 3/4" Panhead Phillips screws	4
• 10 x 1 PH Phillips screws	8
• 10-32 Wellnuts	4

NATIONAL

Furniture with Personality®

Telephone 800.482.1717
 Fax 812.482.8800
 www.NationalOfficeFurniture.com

Part #2382444
 Rev,E

Printed in U.S.A
 © 2014 Kimball International, Inc.

TIPS: Always match the outermost holes of the C channel to the bracket holes unless there is interference with other components in the configuration. When using the bracket with Epicenters that are 54" or longer, it is preferred that the bracket span the void between the C channels when used in the middle of an epicenter.

Proper product installation, in accordance with these instructions, is the responsibility of the installing agent. If you have any questions concerning these instructions, please call National Customer Service 800.482.1717.