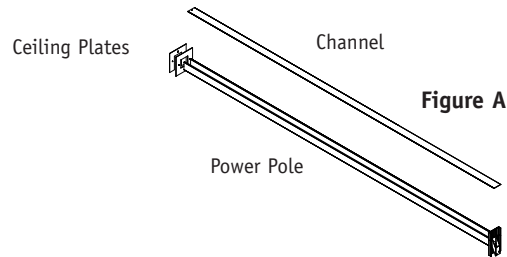


Epicenter Power Pole

1

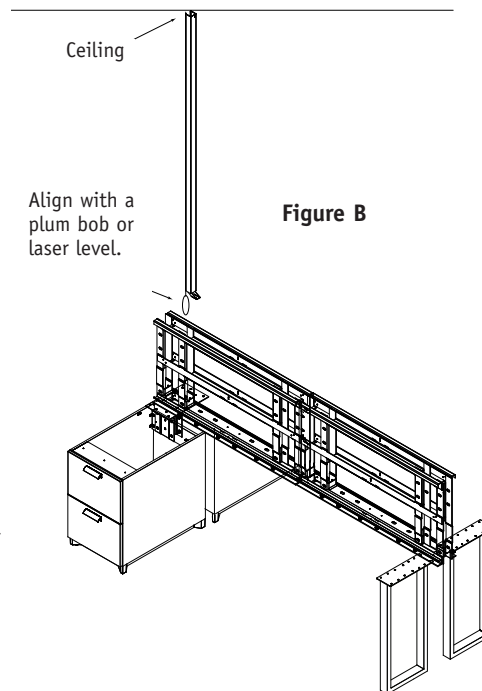
Remove channel from pole, set it and all the other parts aside (Figure A).



2

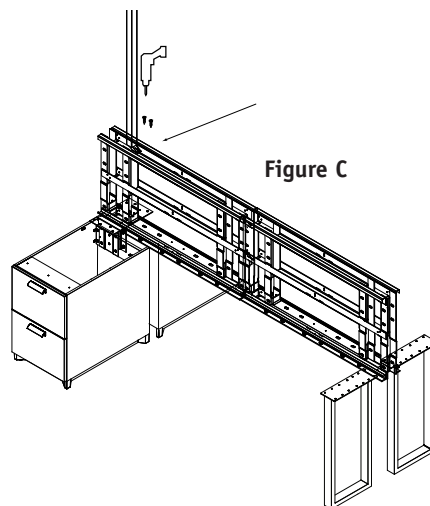
With the Epicenter in the desired user position, locate the Power Pole in the ceiling using a plum bob or laser level (Figure B). Mark location on the ceiling using the Power Pole as a template for the cut out.

Note: Varying ceiling materials will require different tools, processes and/or permits to cut the opening for the Power Pole. Consult with a architect and or a licensed contractor before attempting to cut .



3

Bore two (2) holes through the tab on the Power Pole into the Epicenter for two (2) #8 x 1/2" Pan Head Phillips screws. Using a screw driver install the screws into the holes (Figure C).



Recommended Tools

- Phillips Head Screw Driver
- Drill with 1/8" Bit
- Plum Bob
- Laser Level
- Pencil

Package Contents

Package Contents	Qty.
• Power Pole	1
• Channel	1
• Ceiling Plate	2
• Trim Cap	2
• #8 x 3/8" Pan Head Phillips Screw	2
• #8 x 1 1/2" Pan Head Phillips Screw	2

NATIONAL

Furniture with Personality®

Telephone 800.482.1717
 Fax 812.482.8800
www.NationalOfficeFurniture.com

Part #2386115
 Rev,-

Printed in U.S.A
 © 2011 Kimball International, Inc.

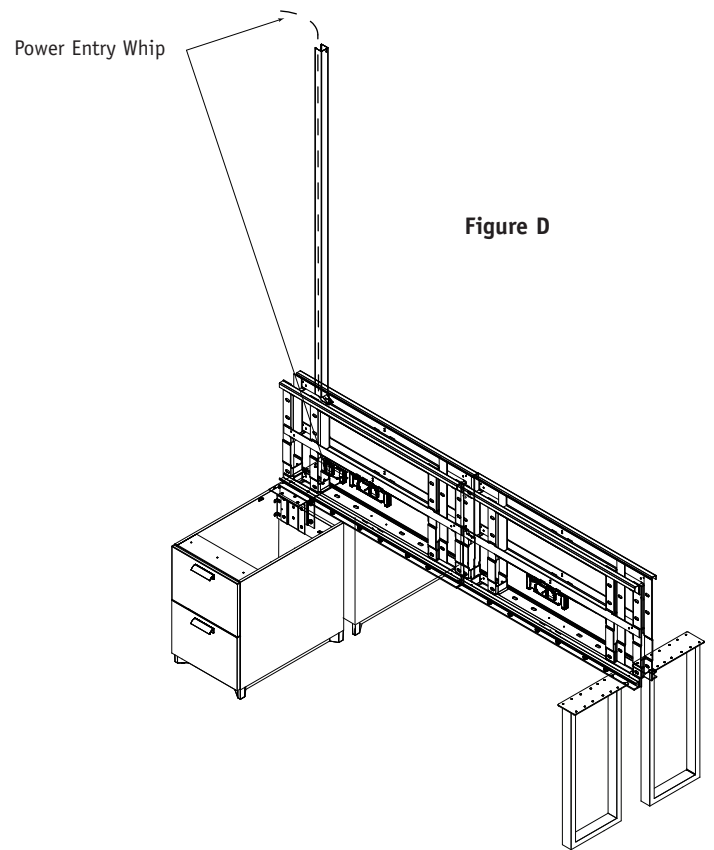
Assembly Instruction

Epicenter Power Pole

4

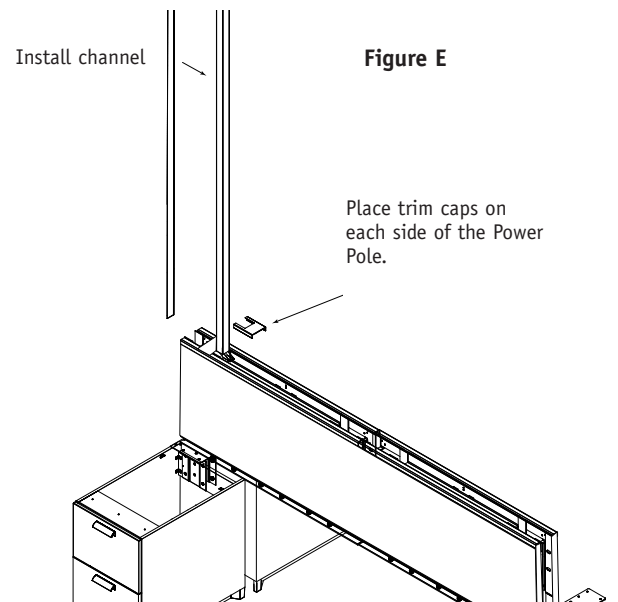
Install the power entry whip to receptacle in the Epicenter. Feed the power entry whip up to the ceiling through the power pole (Figure D).

Note: All electrical must be installed before any inserts are placed in the Epicenter



5

Install channel onto the Power Pole. Install trim caps on each side of the power pole (Figure F).



6

Above the ceiling tile, place the top ceiling plate over the power pole. Align the top and bottom ceiling plates, fasten with two (2) #8 x 1 1/2" PanHead Phillips screws, one (1) on each side. Attach power entry whip to the junction box (Figure F).

