

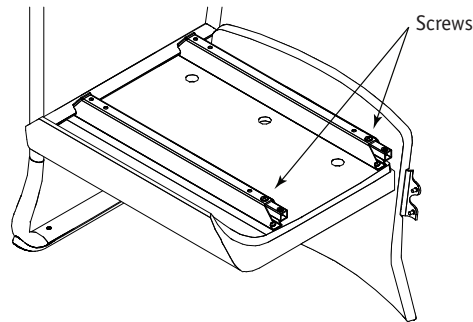
## Assembly Instruction

### Confide Chair Ganging

- 1 Remove the screws holding the connection bars using a #3 phillips head screwdriver (Figure A).

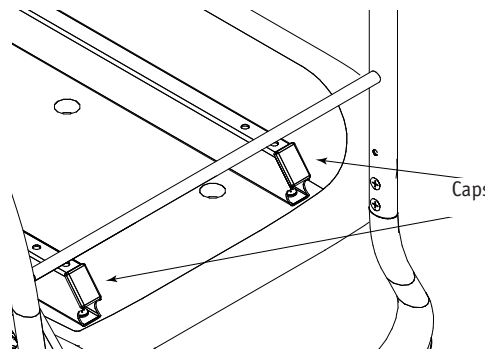
**Note:** Keep the screws and connection bars for later use.

Figure A



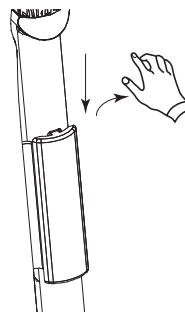
- 2 Determine which side of existing chair for add-on chair. Remove the inserted caps from the under-seat beam on the determined side of existing chair. **NOTE:** Under-seat beam caps are located on the bottom side of the chair as shown in Figure AA.

Figure AA



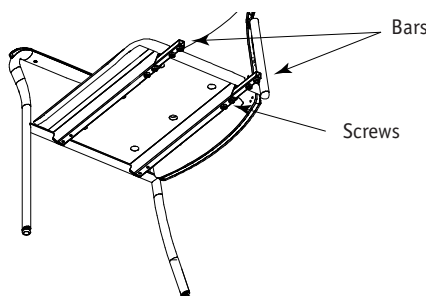
- 3 Remove the finger bracket cover from the back of the add-on side of existing chair. To disengage press down and out on the top tab (Figure B).

Figure B



- 4 Place the connection bars into the open exposed beam ends of the add-on chair, aligning mounting holes. Attach with two (2) 1/4"-20 x 3/4" truss head screws per connection (Figure C).

Figure C



#### Recommended Tools

- #3 Phillips Head Screwdriver

#### Package Contents Qty.

- #1/4"-20 x 3/4" Truss Head Screw 4 per bar
- #1/4"-20 x 1/2" Flat Head Screw 2
- Connection Bar 2 per add-on side

# NATIONAL

Furniture with Personality®

Telephone 800.482.1717  
Fax 812.482.8800  
www.NationalOfficeFurniture.com

Part #2421495  
Rev,A

Printed in U.S.A  
© 2012 Kimball International, Inc.

Proper product installation, in accordance with these instructions, is the responsibility of the installing agent. If you have any questions concerning these instructions, please call National Customer Service 800.482.1717.

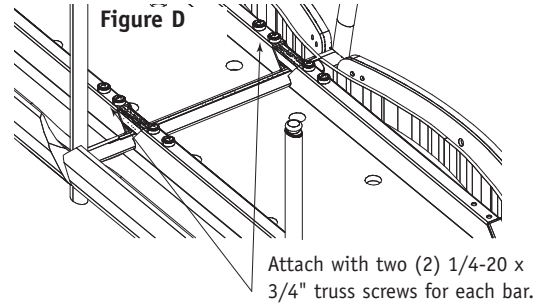
## Assembly Instruction

### Confide Chair Ganging

5

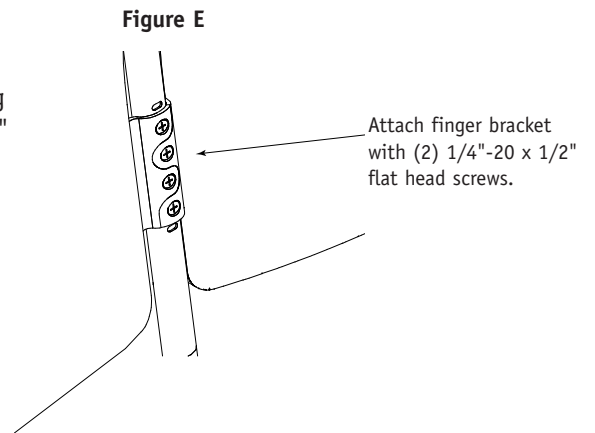
Attach the add-on chair to the existing chair by placing the connection bars on the add-on chair into the open exposed beam ends of the existing chair, align the mounting holes. Attach with two (2) 1/4"-20 x 3/4" truss head screws for each connection bar.

**NOTE:** Figure D shows the bottom side of the chairs, where the under-seat beams and connection bars are located.



6

Align the finger bracket of the add-on chair to the finger bracket of the existing chair. Attach with two (2) 1/4"-20 x 1/2" flat head screws (Figure E).



7

To attach the finger bracket cover, align the bottom tab in the slot, press down and in to engage the top tab (Figure F).

Figure F

