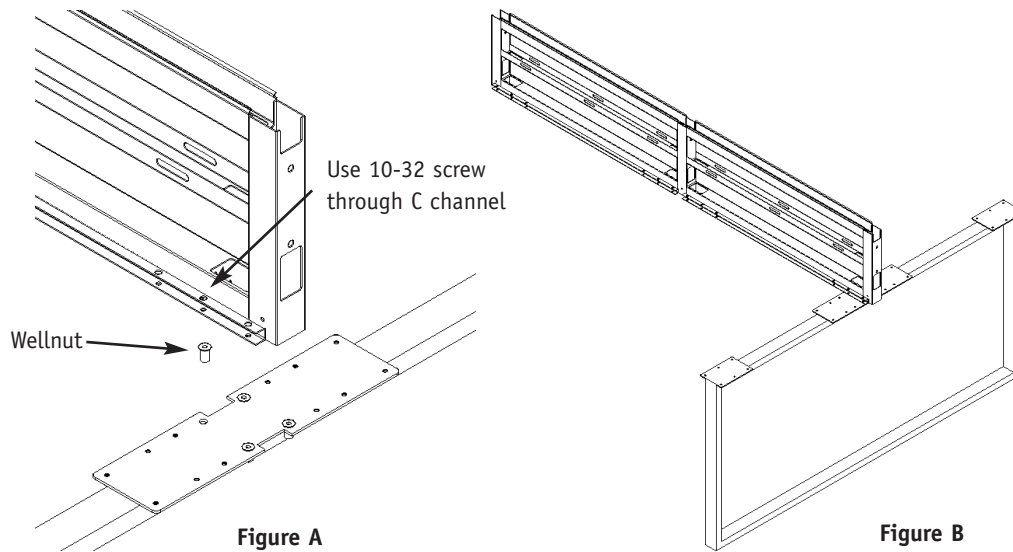


Assembly Instruction

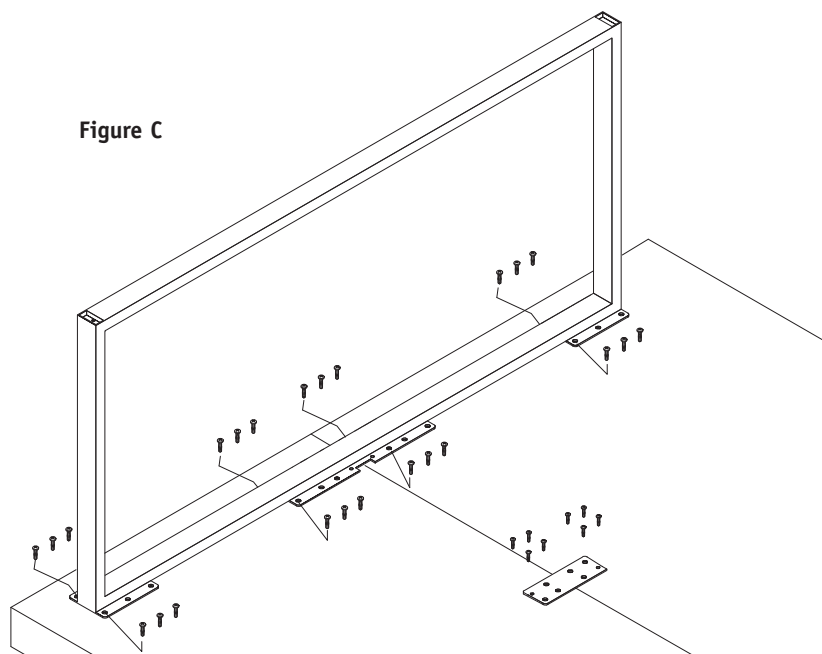
1

Attach each base to the epicenter using (4) 10-32 x 3/4" screws and (4) wellnuts. (See Figures A and B). Use (24) #12 x 7/8" screws to fasten worksurface to base. **NOTE:** Hand start all screws before tightening.



2

When a support base is used with worksurfaces but without an Epicenter, center the support base between the worksurfaces as shown in (Figure C). Attach each base with twenty four (24) #12 x 7/8" flat head screws. Position the worksurface flat bracket equally on the underside of the worksurface. Attach with eight (8) #10 x 1" pan head screws. **NOTE:** Flat bracket and #10 x 1" screws ship out with worksurface.



Epicenter Double Support Base

Recommended Tools

- Phillips Head Screwdriver

Package Contents	Qty.
• Support Base	1
• 10-32 x 3/4" Screws	4
• 10-32 Wellnut	4
• #12 x 7/8" Flat Head Screws	24

NATIONAL

Furniture with Personality®

Telephone 800.482.1717
Fax 812.482.8800
www.NationalOfficeFurniture.com

Part #2422090
Rev,A

Printed in U.S.A
© 2013 Kimball International, Inc.

Proper product installation, in accordance with these instructions, is the responsibility of the installing agent. If you have any questions concerning these instructions, please call National Customer Service 800.482.1717.