

ASSEMBLY INSTRUCTIONS

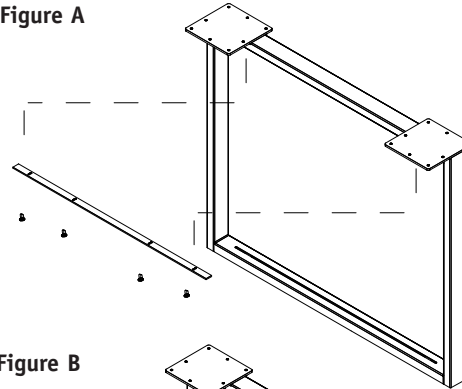
1

Note: These instructions explain basic installation of table bases to worksurfaces. It is recommended that more than one person be used to move worksurfaces and/or assembled tables. Unpack the base and worksurface place it face down on a smooth, hard surface. Take care to not damage the worksurface.

2

Remove the screws holding the adjustable retaining strip (Figure A).

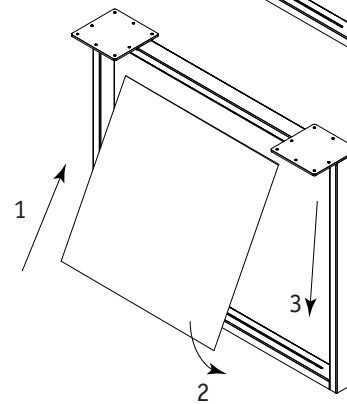
Figure A



3

1. place the insert panel at a angle in the slot at the top of the base, 2 angle insert panel and align it with the slot in the bottom of the base, 3 push down (Figure B).

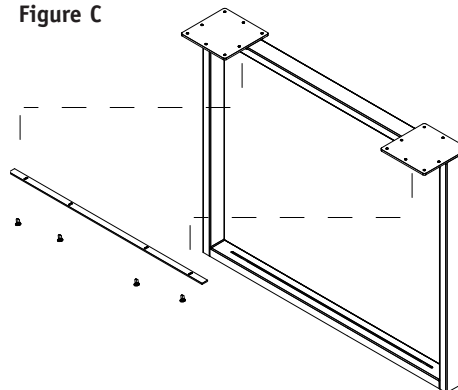
Figure B



4

Attach the screws holding the adjustable retaining strip, while pressing the strip against the insert panel (Figure C).

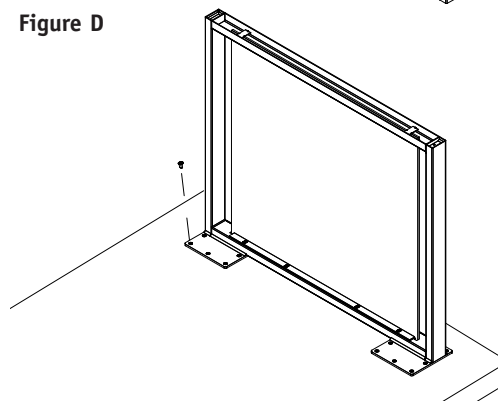
Figure C



5

Center base side to side, at the desired location on worksurface. Attach with sixteen (16) # 12 x 7/8" pan head screws (Figure D).

Figure D



Tables Base with Insert

Recommended Tools

- Screw Gun
- Phillips Bit
- Tape Measure

Package Contents

- | Package Contents | Qty. |
|-----------------------------|-----------|
| • Base Set | per order |
| • 12 x 7/8" Pan Head Screws | per order |

NATIONAL

Furniture with Personality®

Telephone 800.482.1717
Fax 812.482.8800
www.NationalOfficeFurniture.com

Part #2433928
Rev,-

Printed in U.S.A
© 2012 Kimball International, Inc.