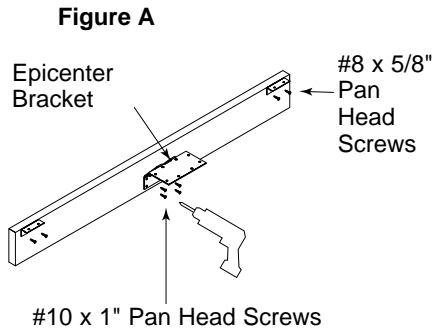


Assembly Instruction

Note: For better clarity, this Instruction does not always show the undersurface pedestal or other undersurface components.

1 On a smooth clean dry surface place the end panel. Attach the Epicenter bracket with four (4) #10 x 1" pan head screws. Place the L-brackets on the end panel, attach with two (2) #8 x 5/8" pan head screws (Figure A).



NOTE: Epicenter bracket comes in a separate package from the end panel.

2 Determine the proper end and placement of the epicenter bracket per your configuration to attach the end panel to the epicenter. Attach with four (4) #10-32 X 3/4" and (4) 10-32 wellnuts (See Figures A and B). **Note:** Hand start screws before fully fastening.

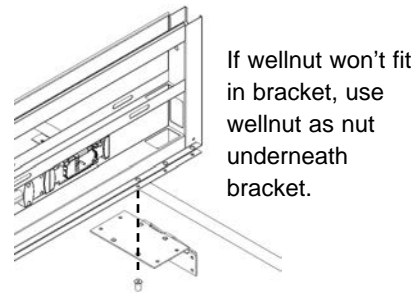
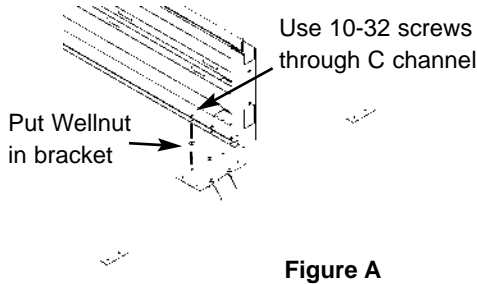


Figure B

3 In the desired location, place 3" wide masking tape where the end panel and epicenter intersects with the lower unit. Using a pencil mark the location of the ends and sides of the end panel (Figure C).

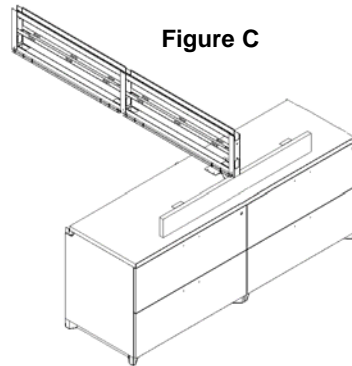
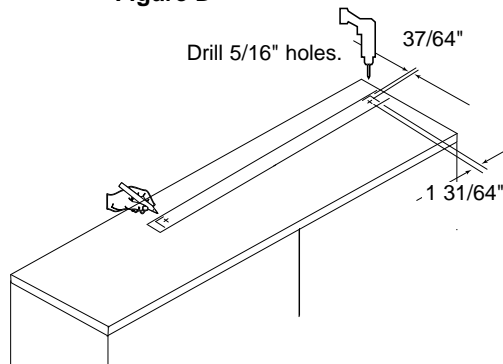


Figure C

4 Using a tape measure and pencil, mark the locations shown in (Figure D) measuring from the marked corners done in step #3 for boring the holes for two (2) 1/4-20 x 2 1/2" Flat Head Machine Screws per end panel.

Figure D



Drill two (2) 5/16" holes through the lower worksurface.

Epicenter Double Depth End Panel

Recommended Tools

- Drill with 5/16" bit
- Phillips head screwdriver
- Tape Measure
- 3" wide masking tape
- Pencil

Package Contents Qty.

- End Panel 1
- #8 x 5/8" Pan Head Screws 8
- 1/4-20 x 2 1/2" Flat Head Machine Screws 2
- L Brackets 2

2nd Package Contents Qty.

- Epicenter Bracket 1
- #10 x 1" Pan Head Screws 8
- #10-32 Wellnuts 4
- #10-32 x 3/4" Machine Screws 4

NATIONAL

Furniture with Personality®

Telephone 800.482.1717
Fax 812.482.8800
www.NationalOfficeFurniture.com

Part #2439927
Rev,B

Printed in U.S.A
© 2014 Kimball International, Inc.

Proper product installation, in accordance with these instructions, is the responsibility of the installing agent. If you have any questions concerning these instructions, please call National Customer Service 800.482.1717.

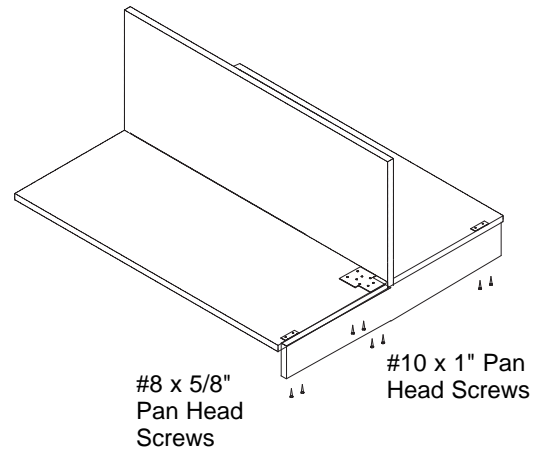
Assembly Instruction

Epicenter Double Depth End Panel

5

Attach the worksurface to the epicenter bracket with four (4) #10 x 1" pan head screws. Attach each L bracket with four (4) #8 x 5/8" pan head screws (Figure E).

Figure E



6

With the upper and lower units positioned in the desired locations, install two (2) 1/4-20 x 2 1/2" Flat Head Machine screws through the lower worksurface into the end panel (Figure F).

Figure F

