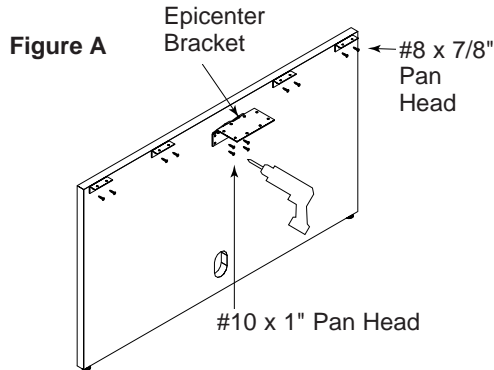


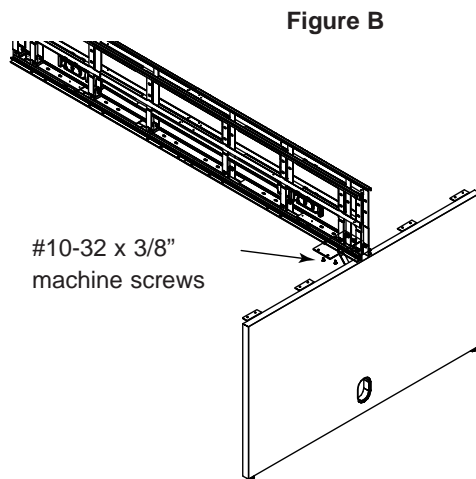
**Note:** For better clarity, this Instruction does not always show the undersurface pedestal or other undersurface components.

**1** On a smooth clean dry surface place the end panel. Attach the Epicenter bracket in the prebored holes, with four (4) #10 x 1" pan head screws. Evenly place the L-brackets on the end panel, attach with two (2) #8 x 5/8" pan head screws per bracket (Figure A).

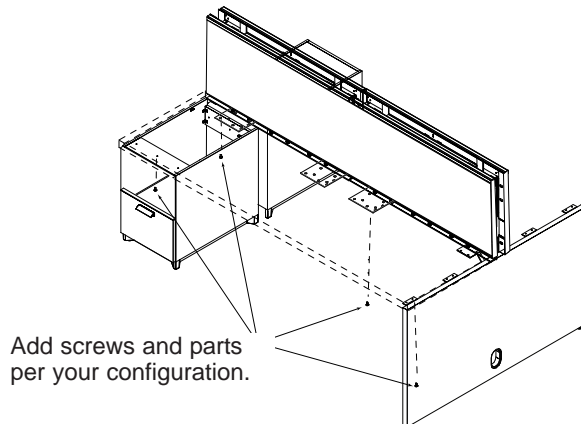


**NOTE:** Epicenter bracket is a separate unit from the end panel.

**2** Determine the proper end of the epicenter per your configuration to attach the end panel to the epicenter. Attach with four (4) #10-32 x 3/8" machine screws. (Figure B).



**3** Epicenters have many possible configurations of component additions. Each component will reference an assembly instruction. Reference those instructions to add screws and parts to your unit. Figure C show one of several configurations.



Add screws and parts per your configuration.

## Epicenter End Panel Double Depth

### Recommended Tools

- Phillips head screwdriver

Package Contents	Qty.
• End Panel	1
• #10 x 1" Pan Head Screws	8
• #8 x 5/8" Pan Head Screws	16
• #10-32x3/8" Machine Screws	4
• L Brackets	4
• Epicenter Bracket	1

## NATIONAL

Furniture with Personality®

Telephone 800.482.1717  
 Fax 812.482.8800  
 www.NationalOfficeFurniture.com

Part #2439928  
 Rev,A

Printed in U.S.A  
 © 2012 Kimball International, Inc.

Proper product installation, in accordance with these instructions, is the responsibility of the installing agent. If you have any questions concerning these instructions, please call National Customer Service 800.482.1717.