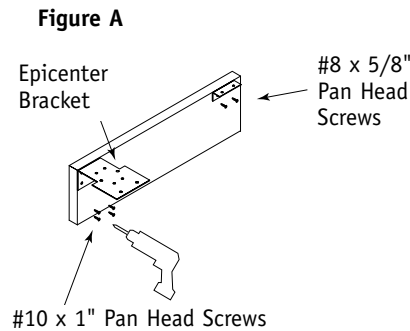


**Note:** For better clarity, this Instruction does not always show the undersurface pedestal or other undersurface components.

**1** On a smooth clean dry surface place the end panel. Attach the Epicenter bracket flush to the top of the end panel, with three (3) #10 x 1" pan head screws. Place the L-bracket on the end panel, attach with two (2) #8 x 5/8" pan head screws (Figure A).



**NOTE: Epicenter bracket comes in separate package from the end panel. If two end panels are used, attach epicenter brackets to the epicenter first, then center and attach each end panel.**

**2** Determine the proper end and placement of the epicenter bracket per your configuration to attach the end panel to the epicenter. Attach with (2) #10-32 x 3/4" screws and (2) #10-32 wellnuts. (See Figures A and B). **Note:** Hand start before fully fastening.

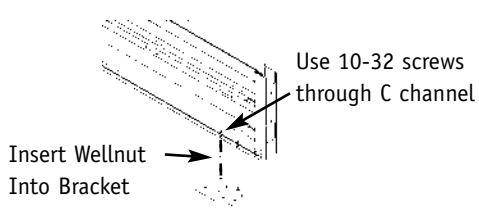


Figure A

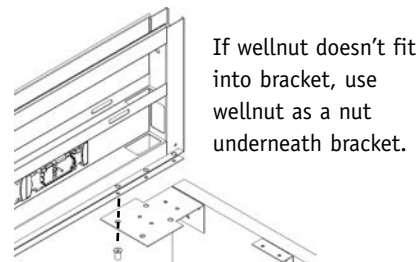


Figure B

**3** In the desired location, place 3" wide masking tape where the end panel and epicenter intersects with the lower unit. Using a pencil mark the location of the ends and sides of the end panel (Figure C). **NOTE:** If two end panels are used, mark each one.

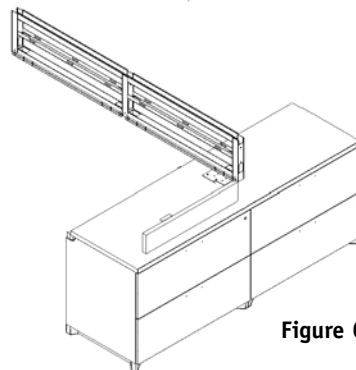


Figure C

**4** Using a tape measure and pencil, mark the locations shown in (Figure D) measuring from the corners marked in step #3 for boring holes for two (2) 1/4-20 x 2 1/2" Flat Head Machine Screws per end panel.

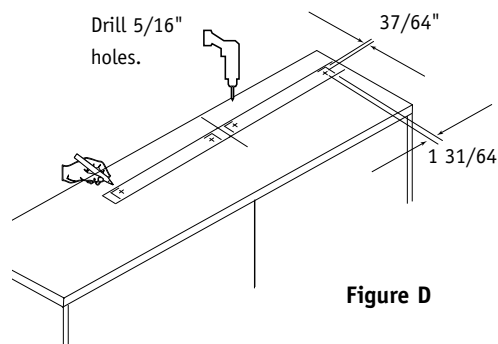


Figure D

Drill two (2) 5/16" holes through the lower worksurface per end panel. If (2) end panels are used mark and bore 4 holes.

## Epicenter Single End Panel

### Recommended Tools

- Drill with 5/16" bit
- Phillips head screwdriver
- Tape Measure
- 3" wide masking tape
- Pencil

### Package Contents Qty.

- End Panel 1
- #8 x 5/8" Pan Head Screws 4
- 1/4-20 x 2 1/2" Flat Head Machine Screws 2
- L Bracket 1

### 2nd Package Contents Qty.

- Epicenter Bracket 1
- #10 x 1" Pan Head Screw 7
- #10-32 x 3/4" Screws 2
- #10-32 Wellnut 2

# NATIONAL

Furniture with Personality<sup>®</sup>

Telephone 800.482.1717  
Fax 812.482.8800  
www.NationalOfficeFurniture.com

Part #2439929  
Rev,B

Printed in U.S.A  
© 2014 Kimball International, Inc.

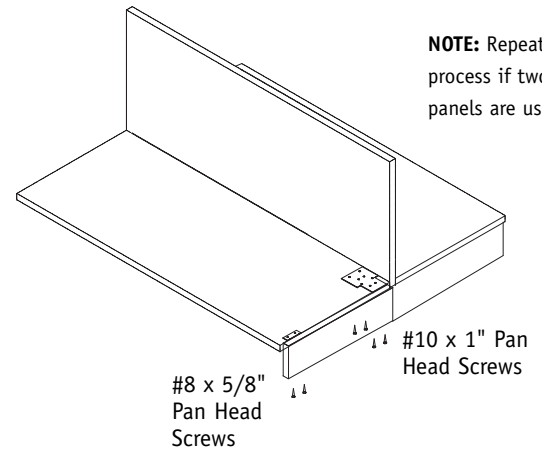
## Assembly Instruction

### Epicenter Single End Panel

- 5** Attach the worksurface to the epicenter bracket with four (4) #10 x 1" pan head screws. Attach the L brackets with two (2) #8 x 5/8" pan head screws (Figure E).

**NOTE:** If two end panels are used repeat process for the other end panel.

Figure E

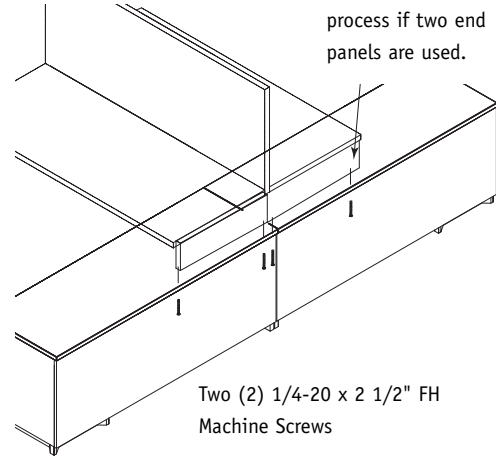


**NOTE:** Repeat process if two end panels are used.

- 6** With the upper and lower units positioned in the desired locations, install two (2) 1/4-20 x 2 1/2" Flat Head Machine screws through the lower worksurface into the end panel (Figure F).

**NOTE:** If two end panels are used repeat process for the other end panel.

Figure F



**NOTE:** Repeat process if two end panels are used.