

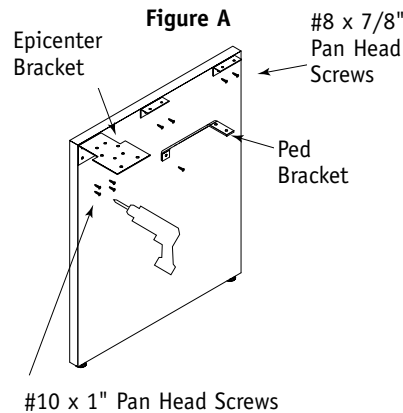
## Assembly Instruction

**Note:** For better clarity, this Instruction does not always show the undersurface pedestal or other undersurface components.

**1**

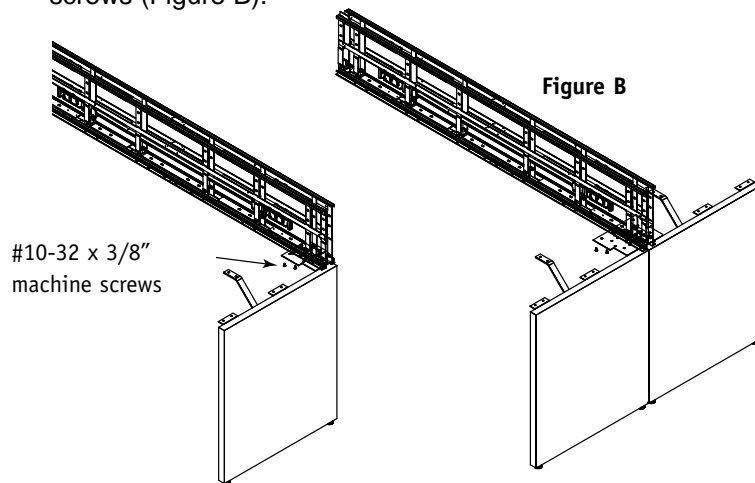
On a smooth clean dry surface place the end panel. Attach the Epicenter bracket and the ped bracket flush to the top of the end panel. With four (4) #10 x 1" pan head screws attach the Epicenter bracket. With one (1) #8 x 5/8" pan head screw attach the ped bracket. Evenly place the L-brackets on the end panel, attach with two (2) #8 x 5/8" pan head screws per bracket (Figure A).

**NOTE:** Epicenter bracket is a sepa-



**2**

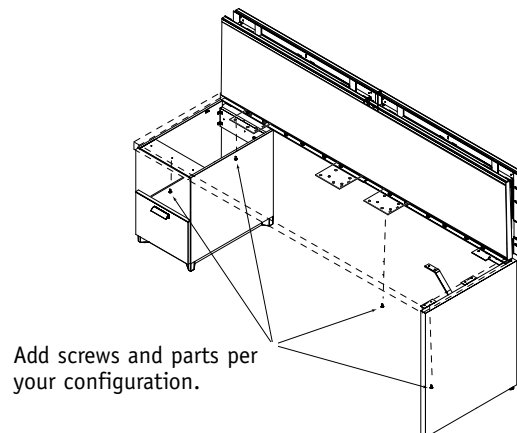
Determine the proper end of the epicenter per your configuration to attach the end panel to the epicenter. Attach with four (4) #10-32 x 3/8" machine screws (Figure B).



**NOTE:** If two end panels are used, place each epicenter bracket on the epicenter first then, center and attach each end panels.

**3**

Epicenters have many possible configurations of component additions. Each component will reference an assembly instruction. Reference those instructions to add screws and parts to your unit. Figure C show one of several configura-



## Epicenter End Panel

### Recommended Tools

- Phillips head screwdriver

### Package Contents Qty.

- End Panel 1
- #10 x 1" Pan Head Screw 8
- #8 x 5/8" Pan Head Screw 11
- #10-32 x 3/8" machine screws 4
- L Brackets 2
- Epicenter Bracket 1
- Ped Bracket 1

# NATIONAL

Furniture with Personality®

Telephone 800.482.1717  
Fax 812.482.8800  
www.NationalOfficeFurniture.com

Part #2439930  
Rev, A

Printed in U.S.A  
© 2012 Kimball International, Inc.

Proper product installation, in accordance with these instructions, is the responsibility of the installing agent. If you have any questions concerning these instructions, please call National Customer Service 800.482.1717.