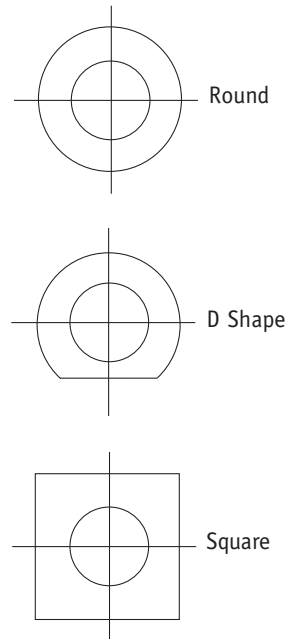


1

Place the worksurface face down on a clean solid surface or floor. Position the Disk Base in the center of the worksurface as shown in (Figure A).

Figure A

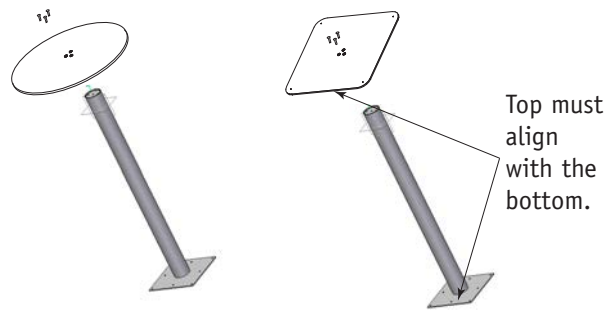


2

Using a 7/32" allen wrench, attach the Disk Base to the Column using the two (3) 3/8"-16 x 1 1/2" allen head bolts provided (Figure B).

Figure B

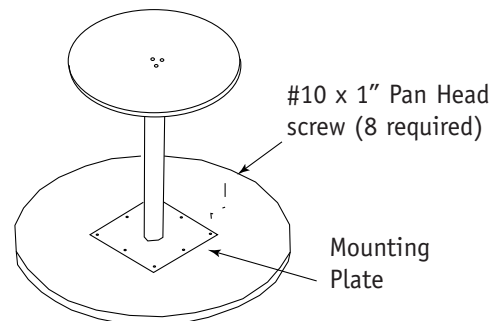
3/8" -16 x 1 1/2 Allen Head Bolt (3 required)



3

Attach the Disk Base mounting plate to the worksurface using the eight (8) #10 x 1" Pan Head screws provided (Figure C).

Figure C



Disk Base

Recommended Tools

- Power Drill
- Phillips Screw Bit
- Tape Measure
- 7/32" Allen Wrench

Package Contents	Qty.
#10 x 1" Pan Head Screw	8
3/8"-16 x 1 1/2" Allen Head Bolt	3

NATIONAL

Furniture with Personality®

Telephone 800.482.1717
 Fax 812.482.8800
www.NationalOfficeFurniture.com

Part 2497629
 Rev,A

Printed in U.S.A
 © 2014 Kimball International, Inc.

Proper product installation, in accordance with these instructions, is the responsibility of the installing agent. If you have any questions concerning these instructions, please call National Customer Service.