

## Assembly Instruction

1

Ensure that top cap is not installed onto epicenter (Figure A).

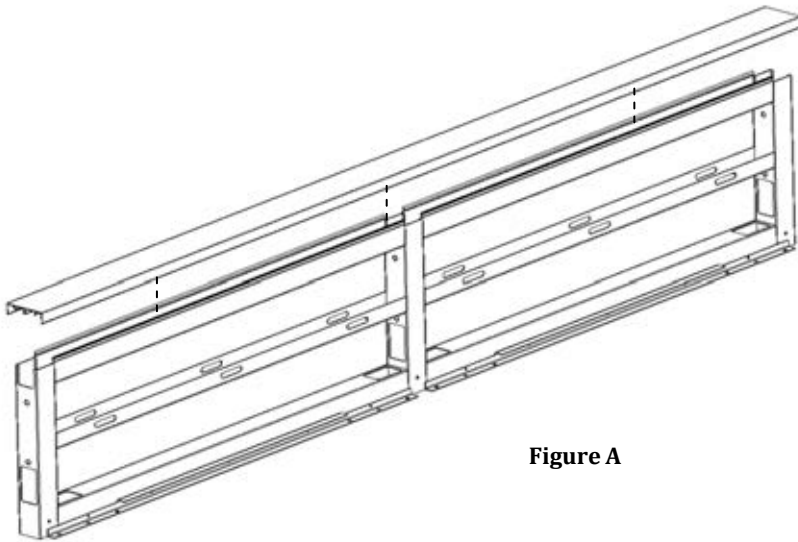


Figure A

2

Position the brackets on the back of the insert to rest on the upper epicenter U channel (Figure B).

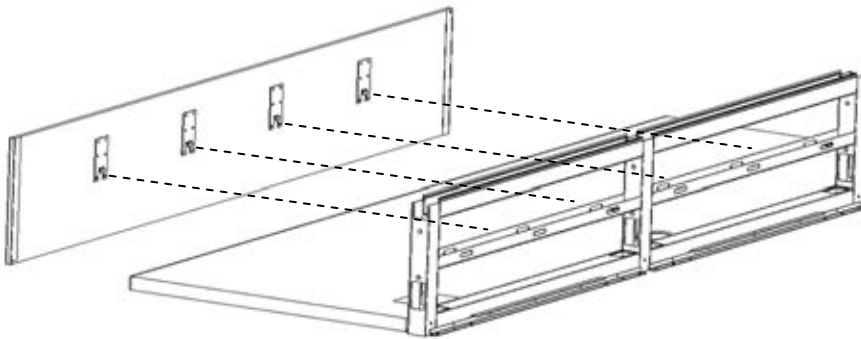


Figure B

### Epicenter Inserts

#### Recommend Tools

- None

Package Contents	Qty.
------------------	------

- |           |   |
|-----------|---|
| • Inserts | 1 |
|-----------|---|

**NATIONAL**

Furniture with Personality™

Telephone 800.482.1717  
Fax 812.482.8800  
[www.NationalOfficeFurniture.com](http://www.NationalOfficeFurniture.com)

Part # 2508070  
Rev. -

Printed in U.S.A.  
© 2013 Kimball International, Inc.

Proper product installation, in accordance with these instructions, is the responsibility of the installing agent. If you have any questions concerning these instructions, please call National Customer Service 800.482.1717.

## Assembly Instruction

**3**

In ganging applications, push in all epicenter inserts towards middle inserts to hide gaps (Figure C). Blinders may be required to hide gaps at the ends of ganging applications (see AI 2508094).



**Figure C**

## Epicenter Inserts

**NATIONAL**

*Furniture with Personality®*

Telephone 800.482.1717  
Fax 812.482.8800  
[www.NationalOfficeFurniture.com](http://www.NationalOfficeFurniture.com)

Part # 2508070  
Rev. -

Printed in U.S.A.  
© 2013 Kimball International, Inc.

Proper product installation, in accordance with these instructions, is the responsibility of the installing agent.  
If you have any questions concerning these instructions, please call National Customer Service 800.482.1717.