

Assembly Instruction

1

End Trims go on end of epicenters and at the end of epicenter runs in ganging applications (Figure A). **They are attached before the top cap and before attaching upper epicenter inserts.** Note that hole locations and attachment methods vary depending on what type of End Trim is being installed (steps 2a to 2c).

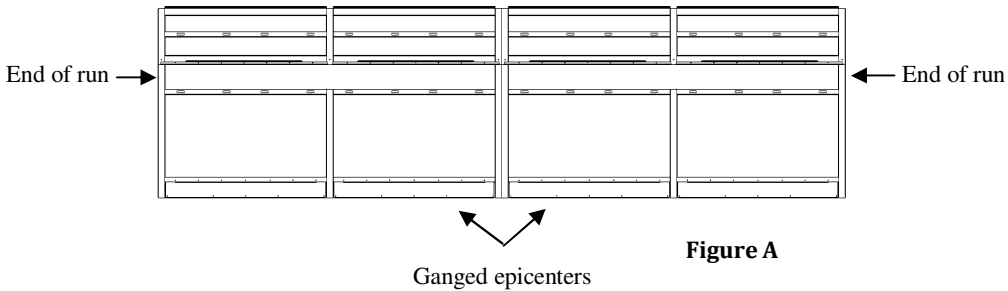


Figure A

2a

Upper End Trim Models: Locate End Trim weld nuts into through holes of end of Epicenter. If washers are needed, add onto weld nuts on End Trim. On opposite tubing wall, use bolts to attach End Trim (Figure B).

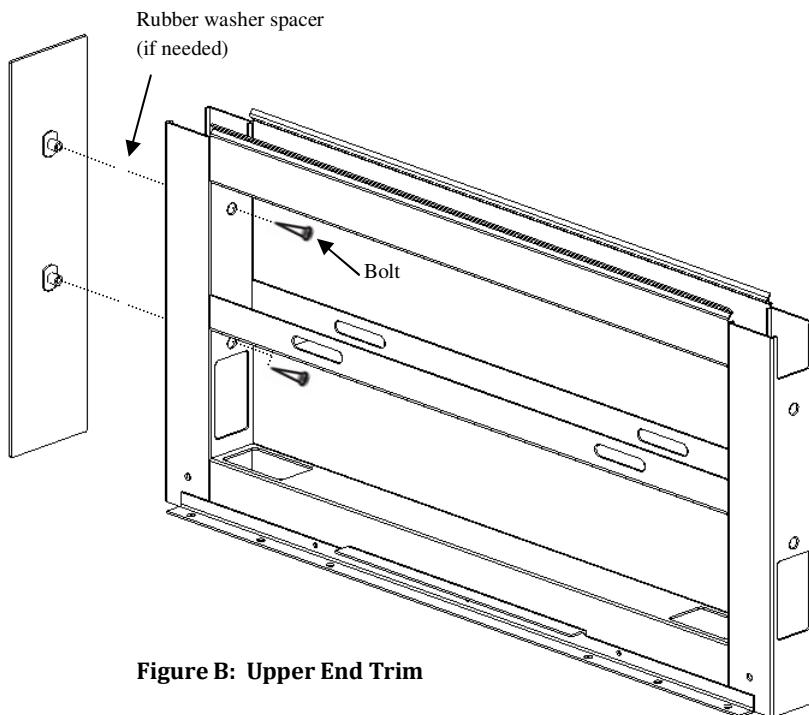


Figure B: Upper End Trim

Epicenter End Trims

Recommend Tools

- Wrench

Package Contents

Qty.

- | | |
|------------|-----------|
| • End Trim | 1 |
| • Washers | per order |
| • Bolts | per order |

NATIONAL

Furniture with Personality™

Telephone 800.482.1717
Fax 812.482.8800
www.NationalOfficeFurniture.com

Part # 2508075
Rev. -

Proper product installation, in accordance with these instructions, is the responsibility of the installing agent. If you have any questions concerning these instructions, please call National Customer Service 800.482.1717.

Printed in U.S.A.
© 2013 Kimball International, Inc.

Assembly Instruction

2b

Full End Trim Models: Locate End Trim weld nuts into through holes of end of Epicenter. On opposite tubing wall, use bolt through upper epicenter to attach to upper weldnut of End Trim (Figure C).

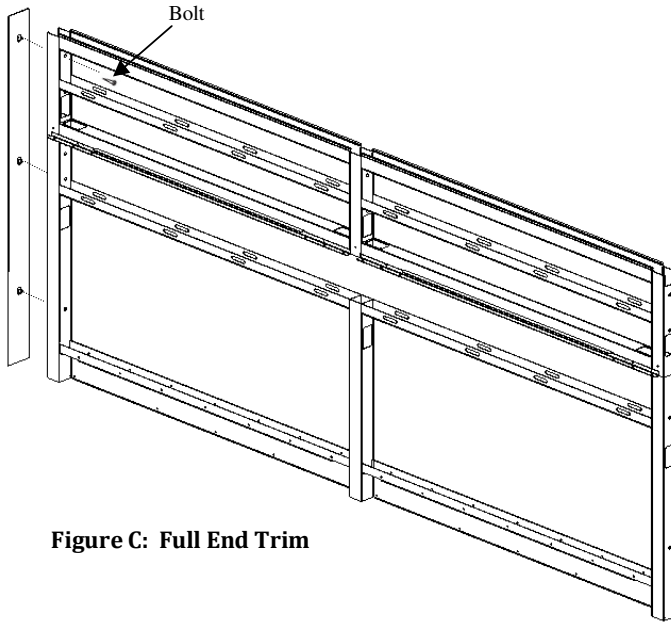


Figure C: Full End Trim

2c

Low End Trim Models: Locate End Trim weld nuts into through holes of end of Epicenter. Press onto lower epicenter (Figure D).

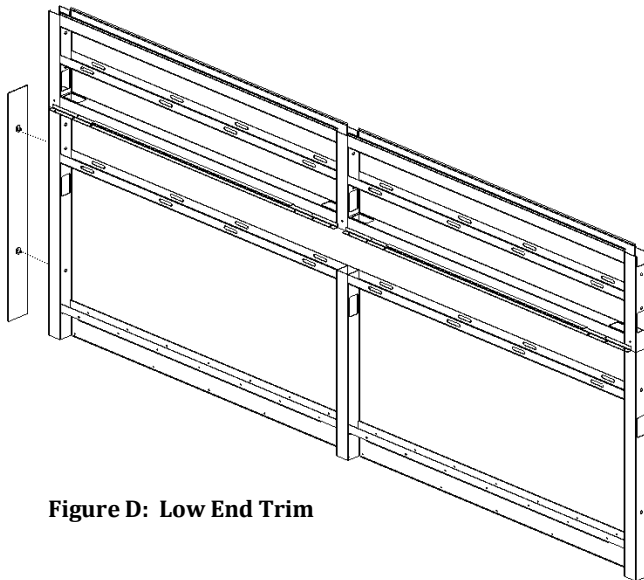


Figure D: Low End Trim

Epicenter End Trims

NATIONAL

Furniture with Personality™

Telephone 800.482.1717
Fax 812.482.8800
www.NationalOfficeFurniture.com

Part # 2508075
Rev. -

Printed in U.S.A.
© 2013 Kimball International, Inc.

Proper product installation, in accordance with these instructions, is the responsibility of the installing agent. If you have any questions concerning these instructions, please call National Customer Service 800.482.1717.