

## Assembly Instruction

1

Modesty Panel Inserts may be installed before or after the work surface is positioned. It is recommended that the insert be installed before for easier installation. The panel's brackets are used to clip on the lower epicenter U channel (Figure A).

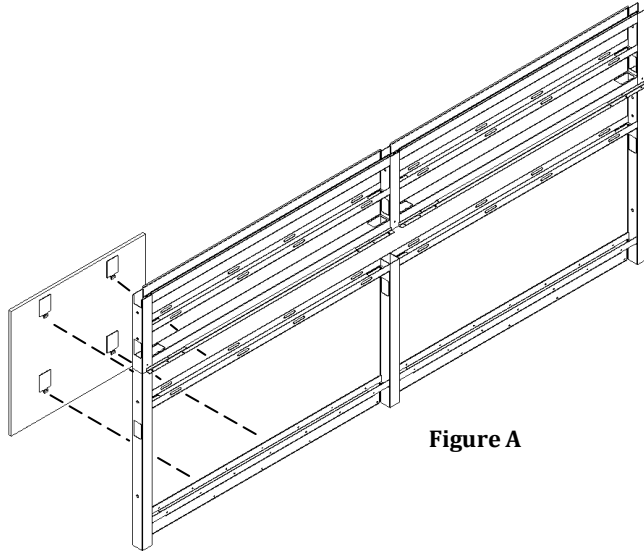


Figure A

2

If Epicenter comes with full height inserts, be sure to install full height inserts first on opposite side of Epicenter.

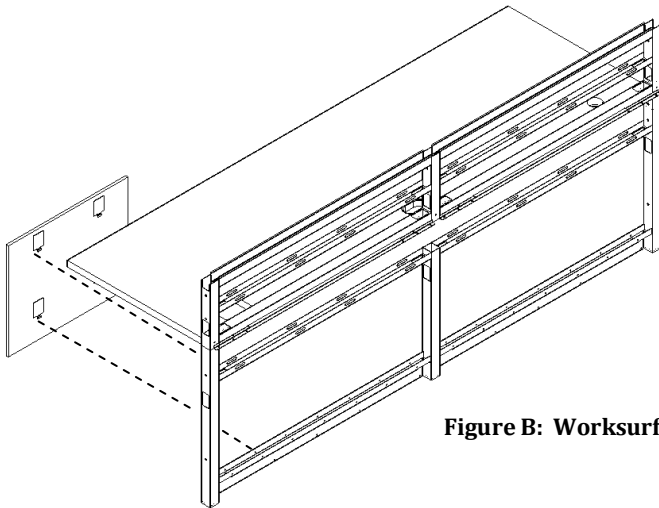


Figure B: Worksurface Height

### Modesty Panel Inserts

#### Recommended Tools

- None

#### Package Contents

- Insert

#### Qty.

Per Order

# NATIONAL

Furniture with Personality™

Telephone 800.482.1717  
Fax 812.482.8800  
[www.NationalOfficeFurniture.com](http://www.NationalOfficeFurniture.com)

Part # 2508082  
Rev. -

Printed in U.S.A.  
© 2013 Kimball International, Inc.

Proper product installation, in accordance with these instructions, is the responsibility of the installing agent. If you have any questions concerning these instructions, please call National Customer Service 800.482.1717.

## Assembly Instruction

**3**

Note that Box-File modesty panels use different brackets than Worksurface height modesty panels.

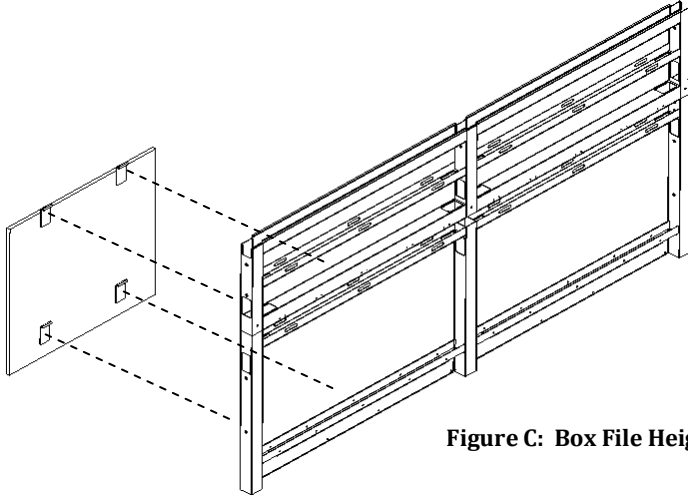


Figure C: Box File Height

### Modesty Panel Inserts

#### Recommended Tools

- None

Package Contents	Qty.
• Insert	Per Order

# NATIONAL

Furniture with Personality™

Telephone 800.482.1717  
Fax 812.482.8800  
[www.NationalOfficeFurniture.com](http://www.NationalOfficeFurniture.com)

Part # 2508082  
Rev. -

Proper product installation, in accordance with these instructions, is the responsibility of the installing agent. If you have any questions concerning these instructions, please call National Customer Service 800.482.1717.

Printed in U.S.A.  
© 2013 Kimball International, Inc.