

Assembly Instruction

1

Center screen holder channel onto Top Cap in both directions (Figure A).
Use template.

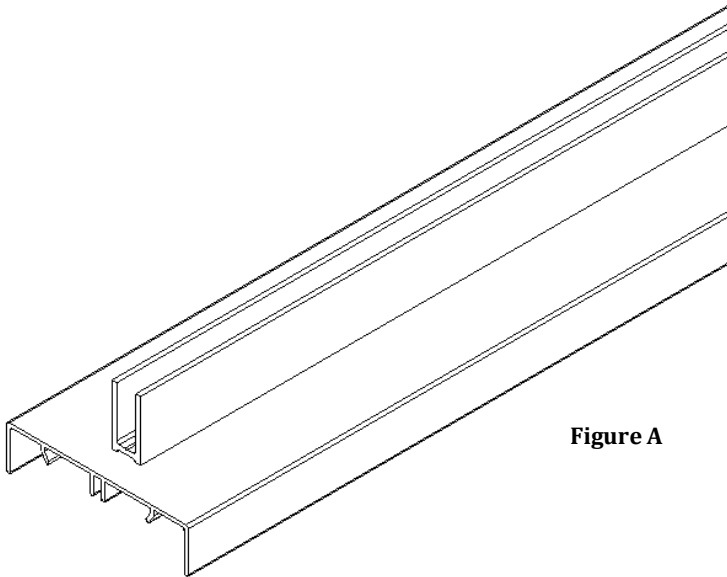
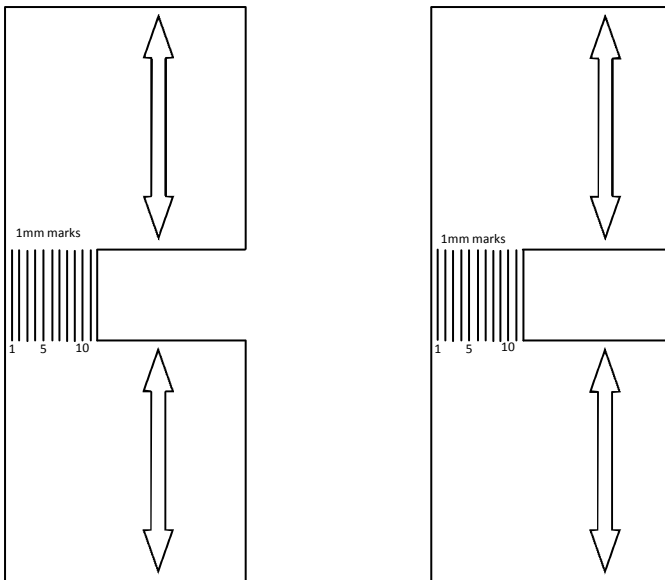


Figure A



Templates

Epicenter Mounted Privacy Screens

Recommend Tools

- Tape Measure
- Drill
- Drill Bit

Package Contents

Qty.

- | | |
|--|-----------|
| • Holder | 1 |
| • 6x ¹ / ₂ " PHP | Per Order |
| • 6x2" PHP | Per Order |
| • Acrylic | 1 |

NATIONAL

Furniture with Personality™

Telephone 800.482.1717
Fax 812.482.8800
www.NationalOfficeFurniture.com

Part # 2514018
Rev. -

Printed in U.S.A.
© 2013 Kimball International, Inc.

Proper product installation, in accordance with these instructions, is the responsibility of the installing agent.
If you have any questions concerning these instructions, please call National Customer Service 800.482.1717.

Assembly Instruction

2

Use 6x $\frac{1}{2}$ " PHP screws in pre-bore holes in screen holder to tap into top trim, mid support, or end support. Use screen holder as template to pre-bore holes in top of support panels for 2" screws. See Figure B.

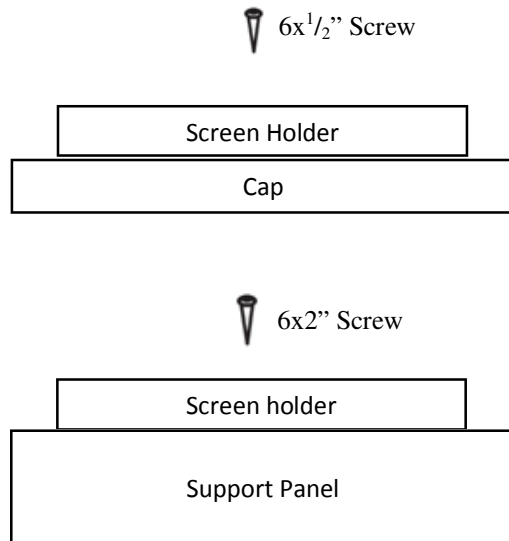


Figure B

3

Place acrylic into screen holder (Figure C).

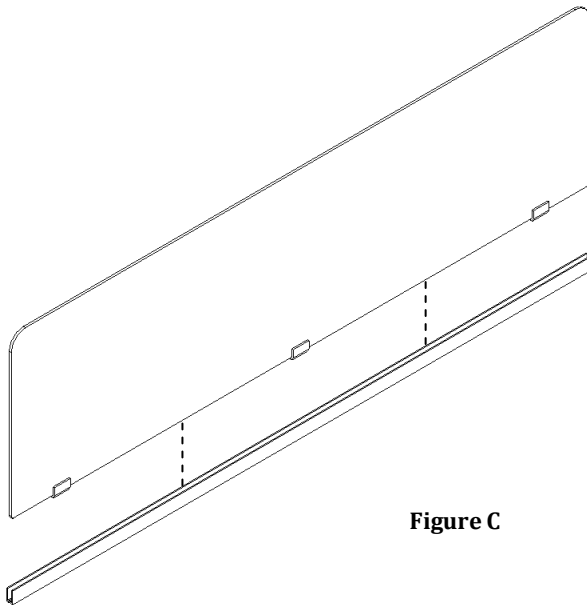


Figure C

Epicenter Mounted Privacy Screens

NATIONAL

Furniture with Personality™

Telephone 800.482.1717
Fax 812.482.8800
www.NationalOfficeFurniture.com

Part # 2514018
Rev. -

Printed in U.S.A.
© 2013 Kimball International, Inc.

Proper product installation, in accordance with these instructions, is the responsibility of the installing agent. If you have any questions concerning these instructions, please call National Customer Service 800.482.1717.