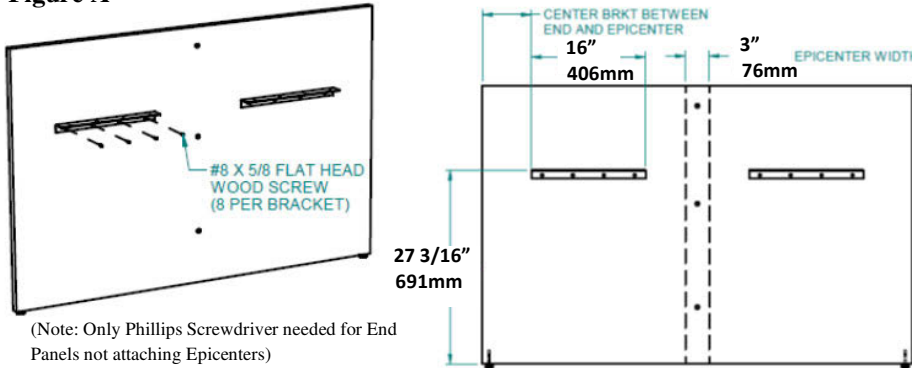


- 1** Attach work surface mounting bracket to face of panel (Note: qty of brackets vary per panel, see Package Contents), using #8 X 5/8" Flat Hd Wd Screws. Center Bracket between Epicenter and end of panel. Top surface of bracket should sit **691MM** (27-13/64") off bottom edge of panel. If using Overhead units with Epicenter, HOLD the **691MM** when installing bracket.

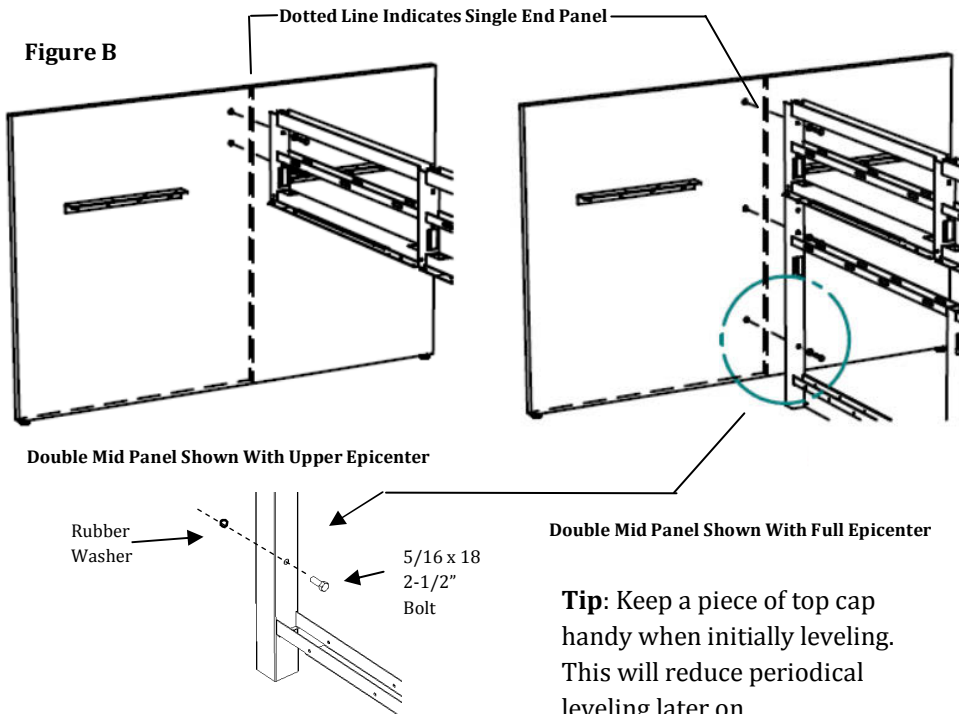
Figure A



Note: If not attaching Epicenter to panel—Stop Here

- 2** Insert 2-1/2" Bolt into hole provided in Epicenter Frame, pass through and thread into threaded insert in End Panel. Depending on how many epicenters are ganged, washers may or may not be needed. When 8 or more epicenters are ganged, 3" Bolts are required. Using 1/2" socket and ratchet, securely tighten bolts into inserts, but DO NOT over tighten. Level Mid Panel and Epicenter Frame.

Figure B



Tip: Keep a piece of top cap handy when initially leveling. This will reduce periodical leveling later on.

Proper product installation, in accordance with these instructions, is the responsibility of the installing agent. If you have any questions concerning these instructions, please call National Customer Service 800.482.1717.

Mid Support Privacy Panel

Worksurface Bracket Attachment / Single Sided Epicenter Attachment

Recommend Tools

- 1/2" Hex Head Socket With Ratchet
- Phillips Screwdriver
- Tape Measure
- Level

Package Contents

Package Contents	Qty.
• MID PANEL (Double or Single)	1
• WORK SURFACE MOUNT BRACKETS	
Double Mid Panel	4
Single Mid Panel	2
• FLAT HEAD WOOD SCREWS (#8 x 5/8 FHWS)	
Double Mid Panel	32
Single Mid Panel	16
• 5/16-18 X 2-1/2" BOLT	
Double Mid Panel	2-6
Single Mid Panel	2-6
• RUBBER WASHER	
Double Mid Panel	2-6
Single Mid Panel	2-6
• LEVELER	2
• ANGLE BRACKETS	0-4
• #10 x 1" PANHEAD SCREWS	0-12

NATIONAL

Furniture with Personality®

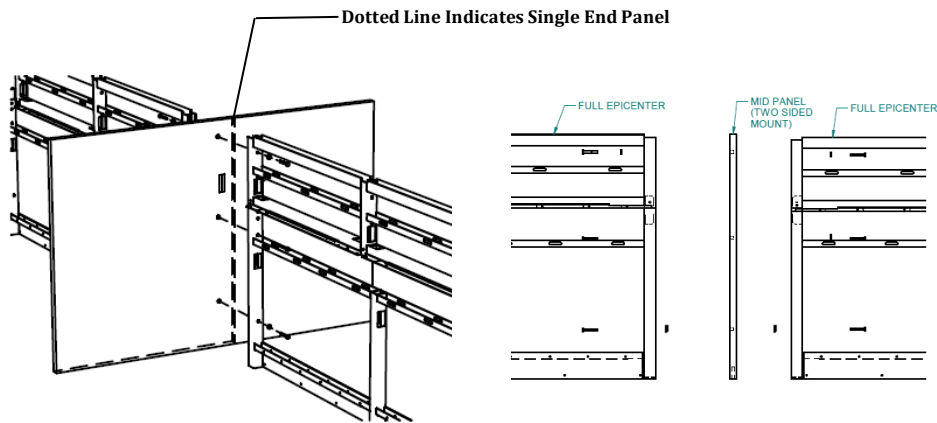
Telephone 800.482.1717
 Fax 812.482.8800
www.NationalOfficeFurniture.com

Part # 2517975
 Rev, C

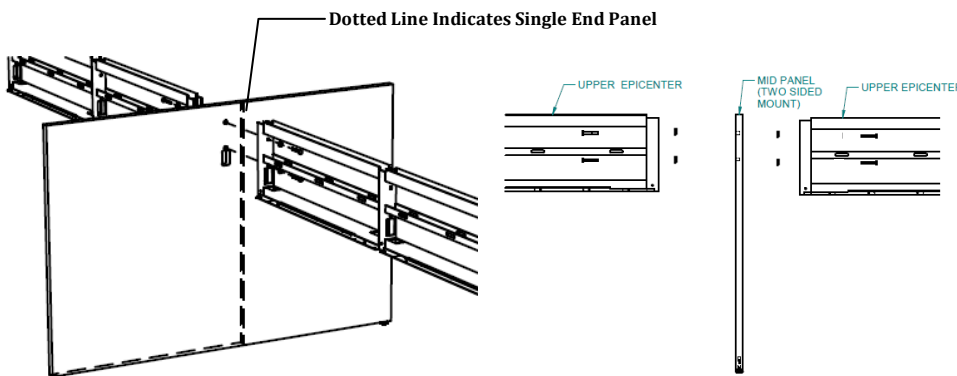
Printed in U.S.A.
 © 2013 Kimball International, Inc.

- 3** Mid Panels that attach to one side of panel —follow directions on page one. Attaching to both sides of panel, do same as page one, except for both sides of panel. Note: *Double sided panel will have wire access through panel.*

Figure C - Attach Epicenter Frame (Both Sides of Panel).



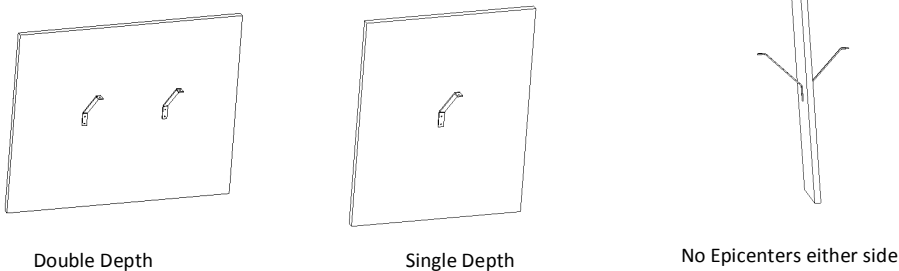
Double Mid Panel Shown With Full Epicenter Both Sides



Double Mid Panel Shown With Upper Epicenter Both Sides

- 4** In some scenarios, one or both sides of the panel will not have an epicenter attached to it. In these cases, install the angle bracket(s) on the panel and centered on the worksurface using (3) #10 X 1" Panhead Screws. See Figure D.

Figure D - Attach Angle Brackets (Worksurface not shown)



Double Depth

Single Depth

No Epicenters either side

Proper product installation, in accordance with these instructions, is the responsibility of the installing agent. If you have any questions concerning these instructions, please call National Customer Service 800.482.1717.

Mid Support Privacy Panel

Worksurface Bracket Attachment / Double Sided Epicenter Attachment.

NATIONAL

Furniture with Personality™

Telephone 800.482.1717
 Fax 812.482.8800
www.NationalOfficeFurniture.com

Part # 2517975
 Rev, C

Printed in U.S.A
 © 2013 Kimball International, Inc.