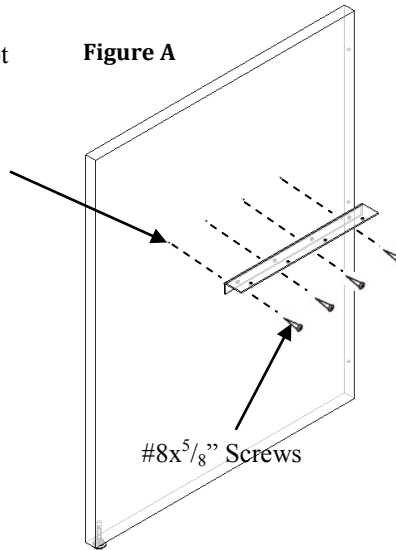


## Assembly Instruction

- 1 Attach brackets to panels using #8x<sup>5</sup>/<sub>8</sub>" screws provided. (Figure A). Align to pilot holes in face of panel.

Align with  
Pilot Holes  
In Face of

Figure A



- 2 Attach panels at corners into clips provided in panel. Lift panel 'A' and insert pin in opening over clip (Panel 'B'). Push down to engage (Figure B).

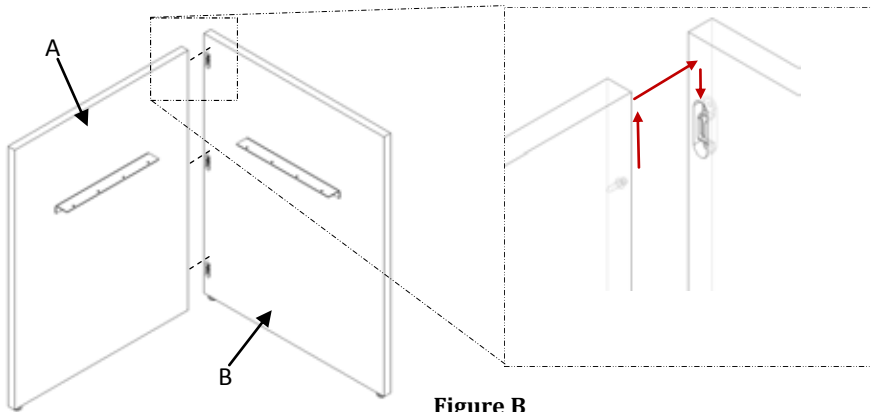


Figure B

- 3 Square Corner Units with worksurface. Attach worksurface using #8x<sup>5</sup>/<sub>8</sub>" screws provided (Figure C).

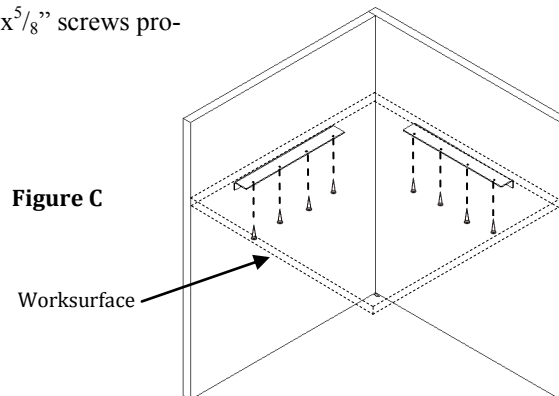


Figure C

Worksurface

### Corner Units

#### Recommend Tools

- Phillips Screwdriver

#### Package Contents

Qty.

- |  |    |
|--|----|
| • Corner Units                             | 1  |
| • Brackets                                 | 2  |
| • #8x <sup>5</sup> / <sub>8</sub> " Screws | 16 |
| • Levelers                                 | 3  |

# NATIONAL

Furniture with Personality™

Telephone 800.482.1717  
Fax 812.482.8800  
[www.NationalOfficeFurniture.com](http://www.NationalOfficeFurniture.com)

Part # 2518109  
Rev. -

Printed in U.S.A.  
© 2013 Kimball International, Inc.

Proper product installation, in accordance with these instructions, is the responsibility of the installing agent. If you have any questions concerning these instructions, please call National Customer Service 800.482.1717.