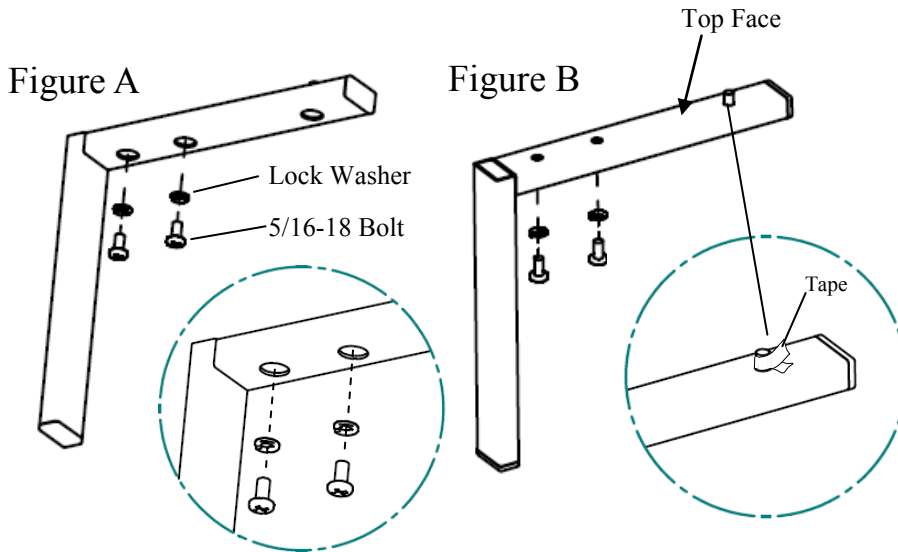


Assembly Instructions—Page 1 of 3

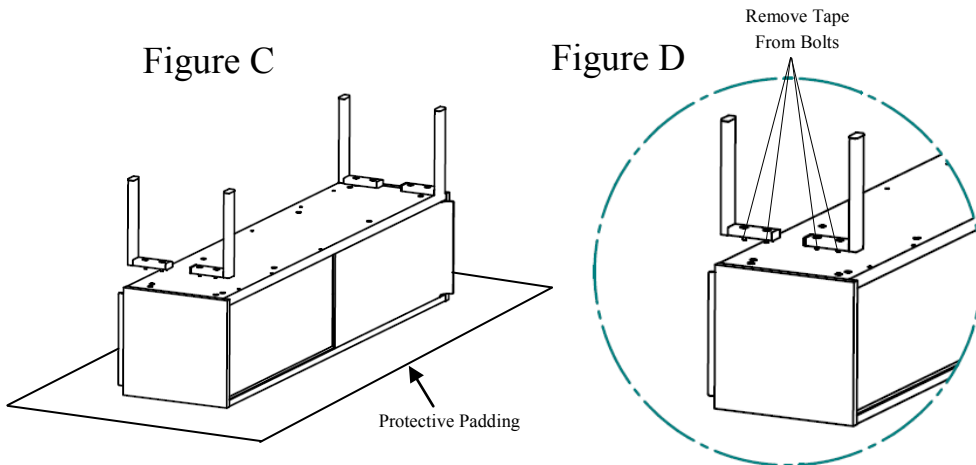
1

In position shown (Figure A) insert bolt through lock washer and through bottom surface hole (Figure A) and then through hole in top face (Figure B). Once the bolt has passed through the top face of stanchion (Figure B), using masking tape, tape around the threaded portion of the bolt projecting through top face (Figure B). Repeat this step for the remaining bolts and washers. This will hold the hardware (Bolts) in place until next step.



2

Turn overhead unit over on its top (Figure C) (provide proper padding to prevent damage to top surface). Hold Stanchion with hardware in upside down position, pull tape from bolts and align with holes in bottom panel of overhead unit (Figure D). With Phillips screwdriver, thread bolts into inserts, do not tighten down at this time.



Overhead Stanchion Installation

Page 1

Attaching Stanchions to Overhead Cabinet.

Page 2

Ganging Overheads Together.

Page 3

Mounting Overhead to Epicenter and Worksurface

Recommend Tools

- Masking Tape
- Phillips Screwdriver

Package Contents Qty.

- Stanchions 2
- 5/16-18 X 20MM Bolts 6-8
- 15MM Lock Washers 6-8
- Anti-Dislodgement Bracket 1-2
- #8x5/8 Pan Hd Wood Screws 2-4
- Connector Bolts 2

NATIONAL

Furniture with Personality™

Telephone 800.482.1717
 Fax 812.482.8800
www.NationalOfficeFurniture.com

Part # 2520956
 Rev, A

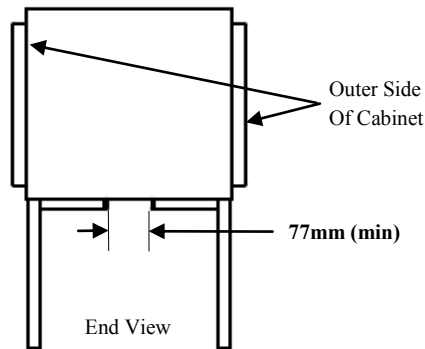
Printed in U.S.A.
 © 2013 Kimball International, Inc.

Proper product installation, in accordance with these instructions, is the responsibility of the installing agent. If you have any questions concerning these instructions, please call National Customer Service 800.482.1717.

Ganging Overheads

- 3** After installing Stanchions, check if distance between Stanchions is 77mm min. If needed, loosen bolts in Stanchions and pull each toward outer side of cabinet to slightly increase distance between Stanchions (Figure E), then securely tighten bolts, but do not over tighten.

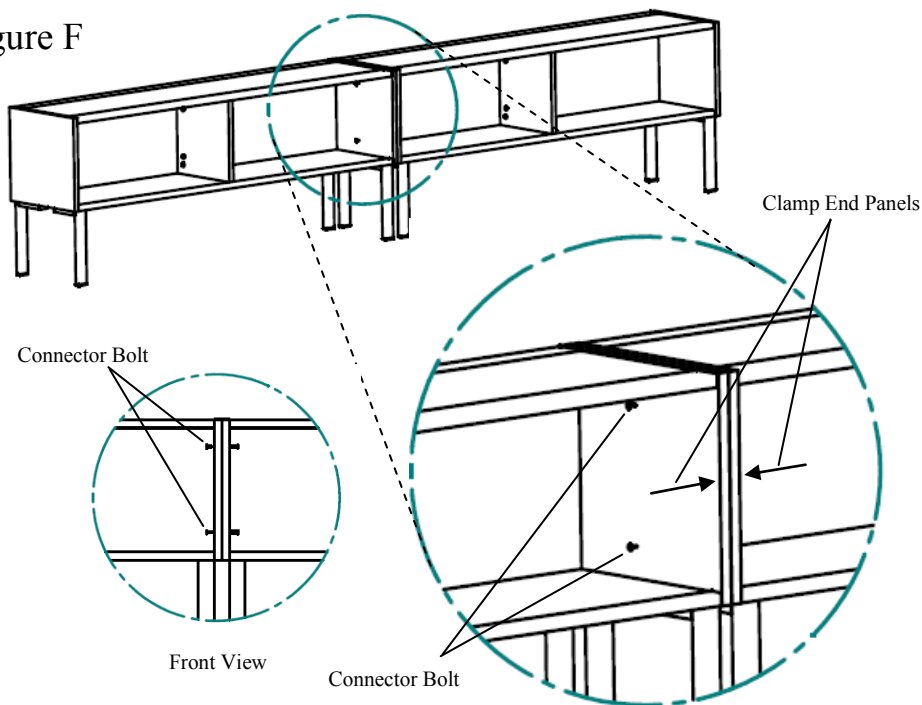
Figure E



Note: If more than one unit will attach to Epicenter, gang units together before proceeding.

- 4** To gang units together (Figure F), align units, then clamp end panels together (be sure to use a protective backer between clamp and face of panels before tightening). Bore 1/4" Dia through holes in desired location for ganging, preferably one in center toward top and one near bottom center. Securely tighten bolts. **Note: When drilling through holes, use solid backer on opposing side to prevent tear-out.**

Figure F



NATIONAL
Furniture with Personality™

Telephone 800.482.1717
Fax 812.482.8800
www.NationalOfficeFurniture.com

Part # 2520956
Rev, A

Printed in U.S.A.
© 2013 Kimball International, Inc.

Proper product installation, in accordance with these instructions, is the responsibility of the installing agent. If you have any questions concerning these instructions, please call National Customer Service 800.482.1717.

- 5** Position Overhead in desired location over Epicenter, take anti-dislodgement bracket and slide curved portion under top cap of Epicenter (Figure G). Position bracket in center of opening to Overhead (Left to Right). Then place flat of bracket up against bottom face of Overhead and screw in place. Repeat for remaining brackets.

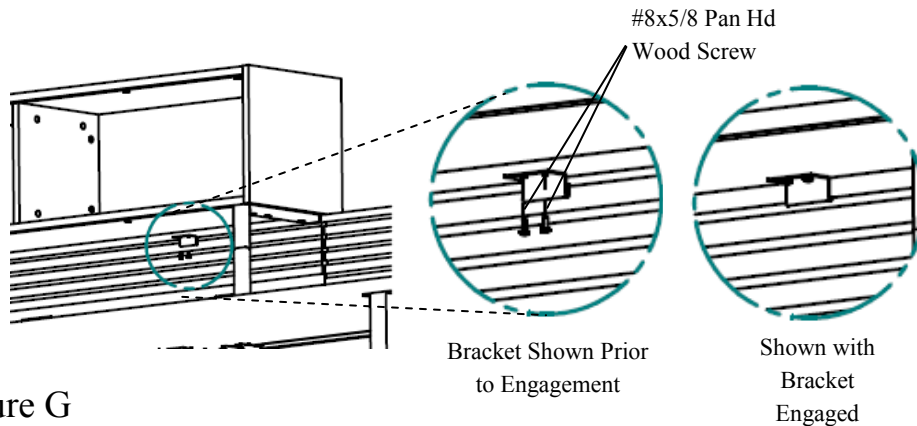
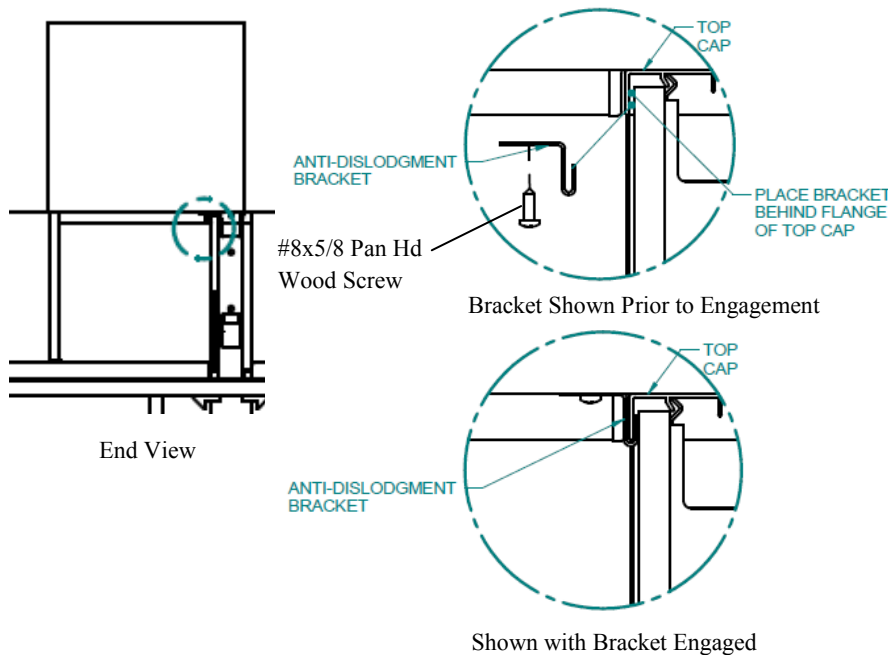


Figure G



Attaching Overhead to Epicenter

NATIONAL

Furniture with Personality®

Telephone 800.482.1717
 Fax 812.482.8800
www.NationalOfficeFurniture.com

Part # 2520956
 Rev, A

Printed in U.S.A.
 © 2013 Kimball International, Inc.

Proper product installation, in accordance with these instructions, is the responsibility of the installing agent. If you have any questions concerning these instructions, please call National Customer Service 800.482.1717.