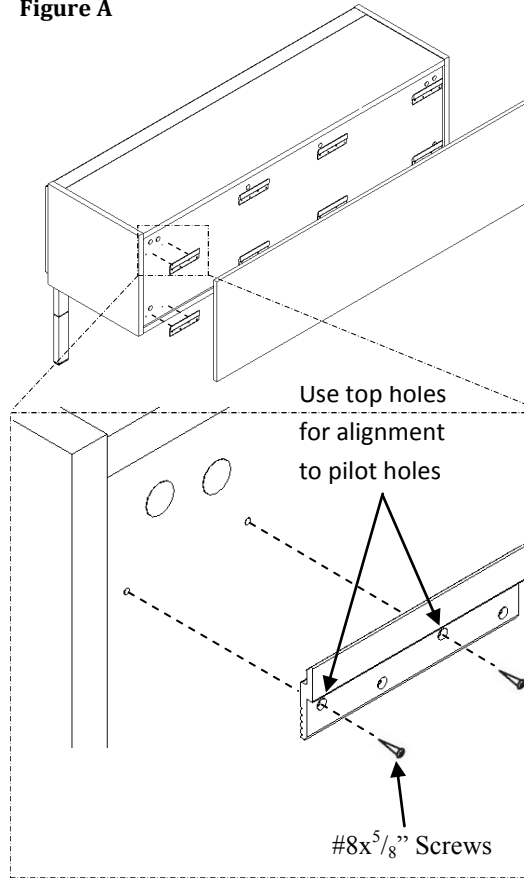


## Assembly Instruction

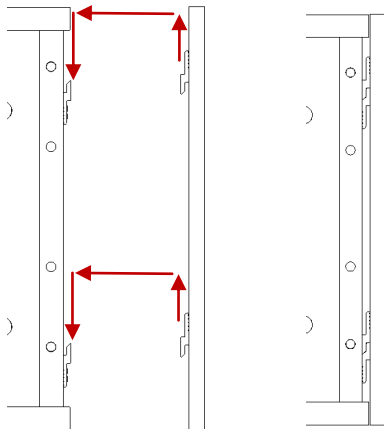
**1** Attach clips to back of overhead using four (4) #8x<sup>5</sup>/<sub>8</sub>" screws per clip. Use top two holes on clips to align with pre-drilled holes on back of overhead (Figure A).

**NOTE:** Clips are pre-installed on Back Panel.

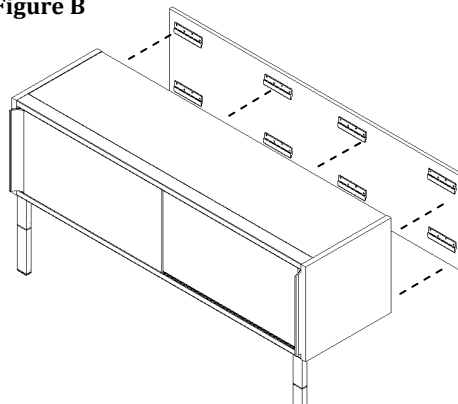
**Figure A**



**2** To install Back Panel, lift Back Panel high enough where clips go over clips on back of overhead. Align and set clips on of top clips on overhead. Align Back Panel left to right. Firmly push or lightly tap panel downward to engage (See note Below) .



**Figure B**



**Note: If needed, lightly tap panel using a non-marring mallet to prevent damage to to edge of back panel**

End View  
(After Attachment)

### Back Panel Attachment

#### Recommend Tools

- Phillips Screwdriver

#### Package Contents Qty.

- |  |       |
|--|-------|
| • Back Panel   | 1     |
| • Clips  | 6-8   |
| • #8x <sup>5</sup> / <sub>8</sub> " Pan Hd Wood Screws | 24-32 |

# NATIONAL

Furniture with Personality<sup>®</sup>

Telephone 800.482.1717  
Fax 812.482.8800  
[www.NationalOfficeFurniture.com](http://www.NationalOfficeFurniture.com)

Part # 2521115  
Rev. -

Printed in U.S.A.  
© 2013 Kimball International, Inc.

Proper product installation, in accordance with these instructions, is the responsibility of the installing agent. If you have any questions concerning these instructions, please call National Customer Service 800.482.1717.