

Assembly Instruction

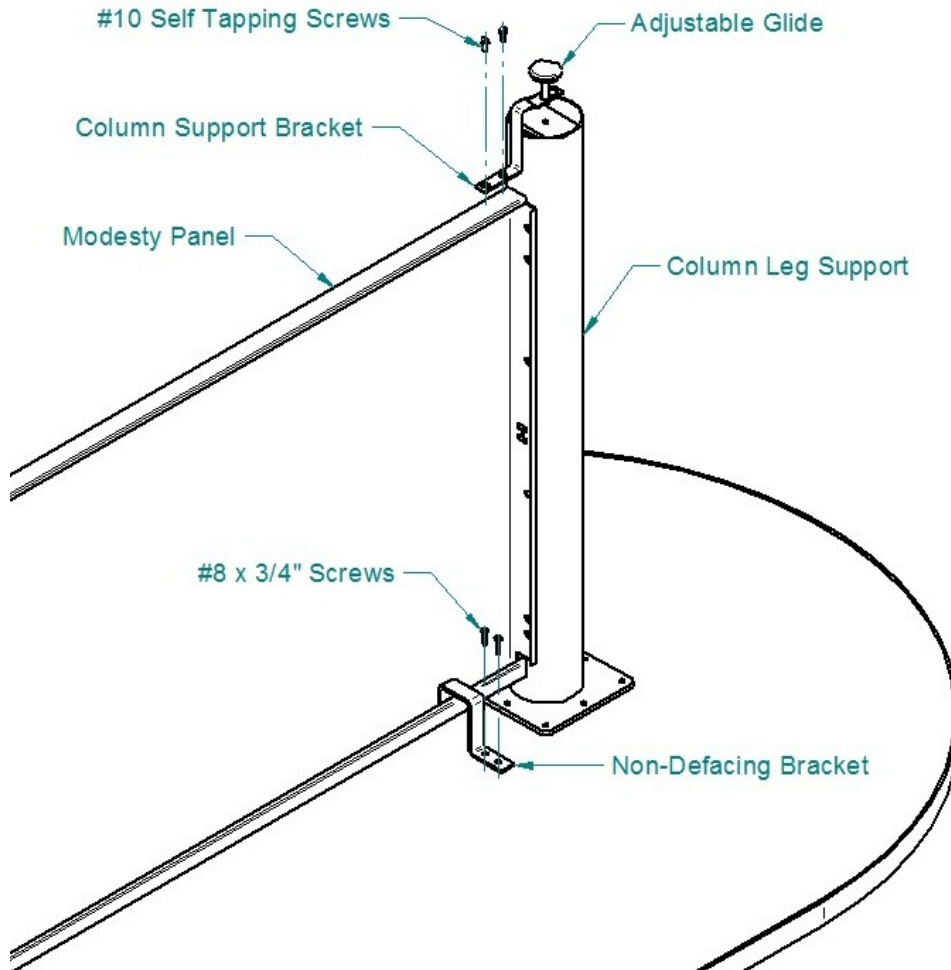
1

Remove the adjustable glide. Slide support leg bracket over the threads of the adjustable glide. Insert the adjustable glide back into the support leg.

Align and attach the support leg bracket to the modesty panel using two (2) #10 self tapping screws provided (Figure A). Hold the support bracket firmly against the column leg while fastening the screws in place. This will help to avoid a gap from forming.

Place the non-defacing bracket into the lip of the modesty panel approximately where shown in Figure A. Attach the bracket using two (2) #8 x 3/4" screws provided.

Figure A



WaveWorks® Metal Non-Defacing Column Leg Kit

Recommend Tools

- Drill
- Phillips Head Screwdriver w/ #2 Phillips head bit

Package Contents Qty.

- Column Support Bracket 1
- #10 Self Tapping Screws 2
- Non-Defacing Bracket 1
- #8 x 3/4" PHP Screw 2

NATIONAL

Furniture with Personality™

Telephone 800.482.1717
Fax 812.482.8800
www.NationalOfficeFurniture.com

Part # 2523518
Rev. -

Printed in U.S.A.
© 2013 Kimball International, Inc.

Proper product installation, in accordance with these instructions, is the responsibility of the installing agent. If you have any questions concerning these instructions, please call National Customer Service 800.482.1717.