

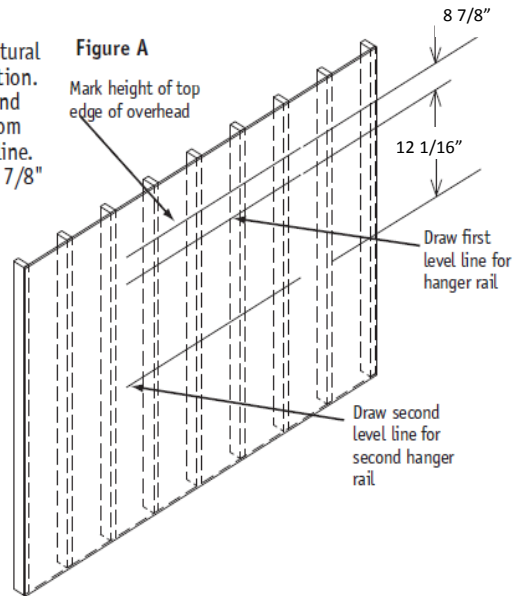
## Assembly Instruction

**NOTE:** This instruction sheet describes the installation of overhead cabinets on a wall with wooden studs. Alternative mounting surfaces may include metal studs and masonry block when appropriate fasteners are used. Fasteners are not supplied in the package contents. **Do not**, mount overhead cabinets where wall board or similar sheet materials will be the **ONLY** means of support. **Mounting height must be greater than 72" from the floor.** Recommended mounting height is 78 1/2" measured from the top of the unit to the floor. Two (2) or more individuals are needed to mount this unit.

**NOTE:** Bottom panel load should not exceed 90 lbs.  
Shelf panel load should not exceed 90 lbs.  
Top panel load should not exceed 103 lbs.

**1**

Place overhead cabinet against structural wall in the approximate desired location. Mark the top edge of the overhead and set it aside. Measure down 6 7/8" from the top edge mark and draw a level line. Measure down 16 11/16" from the 6 7/8" mark and draw another level line. (Figure A).



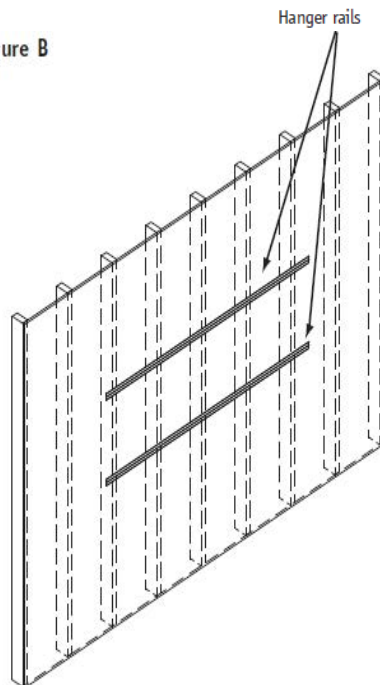
**2**

Place the first hanger rail on the wall, centered in the approximate location of the overhead, with the bottom edge of the rail on the top level line drawn in Step 1. Locate the centers of the wall studs and transfer these locations to the lower portion of the first hanger rail. Place the second hanger rail on the wall, centered in the approximate location of the overhead, with the bottom edge of the rail on the lower level line drawn in Step 1. Locate the centers of the wall studs and transfer these locations to the lower portion of the second hanger rail. (Figure B).

**NOTE:** All units must use two (2) hanger rails.

**NOTE:** With 16" stud centers units **MUST** attach to four (4) studs.  
With 24" stud centers units **MUST** attach to three (3) studs.

Figure B



## Escalade® Wall Mounted Storage 30" tall units

### Recommended Tools

- Pencil
- Tape Measure
- Level
- Screw Gun
- Drill Bits
- Screw Bits

Package Contents	Qty.
• Hanger Rails	2

# NATIONAL

Furniture with Personality™

Telephone 800.482.1717  
Fax 812.482.8800  
[www.NationalOfficeFurniture.com](http://www.NationalOfficeFurniture.com)

Part # 2540037  
Rev. -

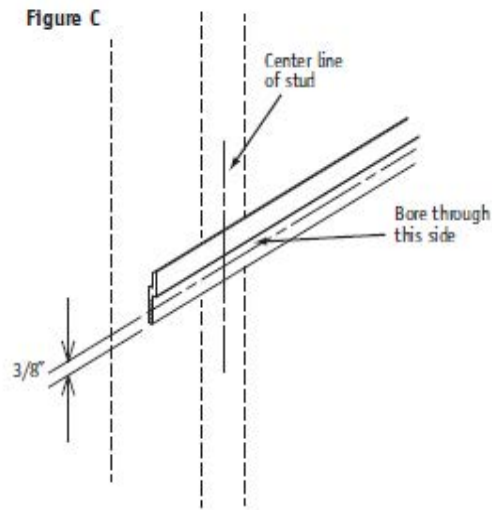
Printed in U.S.A.  
© 2013 Kimball International, Inc.

Proper product installation, in accordance with these instructions, is the responsibility of the installing agent. If you have any questions concerning these instructions, please call National Customer Service 800.482.1717.

## Assembly Instruction

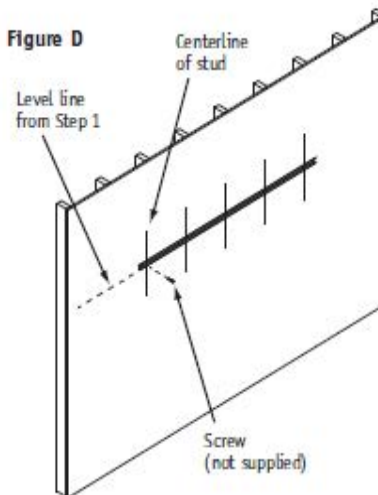
3

Remove hanger rails from wall and bore holes through rail  $3/8$ " above bottom edge of rail at locations marked in Step 2 (Figure C).



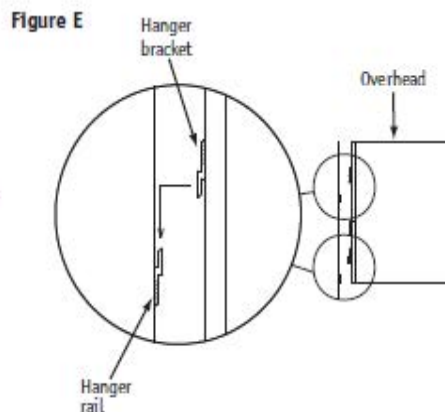
4

Attach hanger rails to wall aligning bottom edge of rail with level lines drawn in Step 1. Make sure that each screw or bolt makes full, solid contact and is in the center of each stud (Figure D).



5

Place overhead cabinet flush against the wall so that the hanger brackets attached to the overhead are above the hanger rails and the hanger rails are between the end panels of the overhead. Carefully lower the overhead cabinet until the hanger brackets engage the hanger rails. Make sure the hanger brackets are firmly seated on the hanger rails (Figure E).



## Escalade® Wall Mounted Storage 30" tall units

# NATIONAL

Furniture with Personality™

Telephone 800.482.1717  
Fax 812.482.8800  
[www.NationalOfficeFurniture.com](http://www.NationalOfficeFurniture.com)

Part # 2540037  
Rev. -

Printed in U.S.A.  
© 2013 Kimball International, Inc.

Proper product installation, in accordance with these instructions, is the responsibility of the installing agent. If you have any questions concerning these instructions, please call National Customer Service 800.482.1717.

## Assembly Instruction

Recommended Fastener	Size	Model No.
Steel Stud (for 1/2" to 3/4" drywall)  Hilti Toggle anchor toggle bolt	1/4"-20 x 2" Grade 5, Grade 5 equivalent or greater bolt with a minimum head height of .134"	374494
Wood Stud (for 1/4" to 1/2" drywall; meets or exceeds ANSI/ASME B18.6.4 and SAE J933):  Panhead sheet metal screw		10-2 PHPMS
Solid Masonry:  Crown Bolt lag shields Buildex Tapcon concrete anchor screw	1/4" x 1 1/2" 1/4" x 2 3/4"	24385
Masonry Block:  Hilti Toggle anchor toggle bolt  Crown Bolt lag shields Buildex Tapcon concrete anchor screw	1/4"-20 x 2" Grade 5, Grade 5 equivalent or greater bolt with a minimum head height of .134"  1/4" x 1 1/2" 1/4" x 2 3/4"	374494  24385

### Escalade® Wall Mounted Storage 30" tall units

# NATIONAL

Furniture with Personality™

Telephone 800.482.1717  
 Fax 812.482.8800  
[www.NationalOfficeFurniture.com](http://www.NationalOfficeFurniture.com)

Part # 2540037  
 Rev. -

Printed in U.S.A.  
 © 2013 Kimball International, Inc.

Proper product installation, in accordance with these instructions, is the responsibility of the installing agent. If you have any questions concerning these instructions, please call National Customer Service 800.482.1717.