

## Assembly Instruction

- 1** Ensure that top cap is not installed onto epicenter (Figure A).

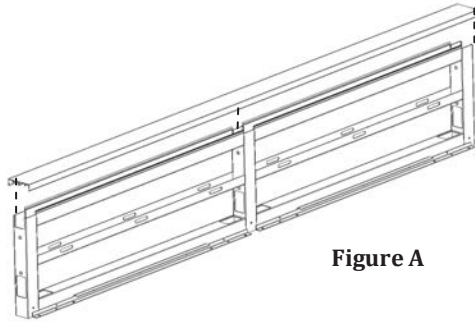


Figure A

- 2** Position the brackets on the back of the insert to rest on the upper epicenter U channel (Figure B).

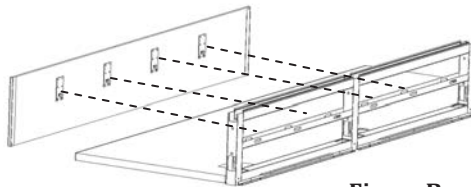


Figure B

- 3** In ganging applications, push in all epicenter inserts towards middle inserts to hide gaps (Figure C). Blinders may be required to hide gaps at the ends of ganging applications (see AI 2508094).



Figure C

### Epicenter Slat Inserts

#### Recommend Tools

- Phillips driver
- 1/8" bit

#### Package Contents

- Slat Wall Insert
- #6 x 3/8" self-drill screws

**NATIONAL**

Furniture with Personality™

Telephone 800.482.1717  
Fax 812.482.8800  
[www.NationalOfficeFurniture.com](http://www.NationalOfficeFurniture.com)

Part # 2545890  
Rev. A

Printed in U.S.A.  
© 2013 Kimball International, Inc.

Proper product installation, in accordance with these instructions, is the responsibility of the installing agent. If you have any questions concerning these instructions, please call National Customer Service 800.482.1717.

## Assembly Instruction

4

Using the self-drilling screws provided, screw slat wall thru the holes at the top to attach it to the Epicenter frame. Note: If the self tapping screws slip upward on the frame, use a 1/8" bit to predrill a hole in the frame for the #6 x 3/8" self drilling screw for easier installation. See Figure D.

Use #6 x 3/8" self tapping screws. Predrilling holes with 1/8" bit may be required prior to installing the screws.

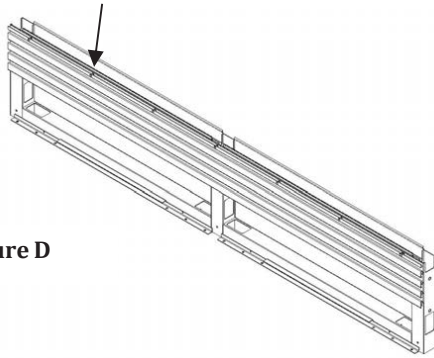


Figure D

5

If monitor arms are being used, ensure that they are installed only in the upper slat (upper 3 channels in slat wall). See figure E (2 positions of monitor arms shown).

Only use top 3 slots of upper epicenter for monitor arm

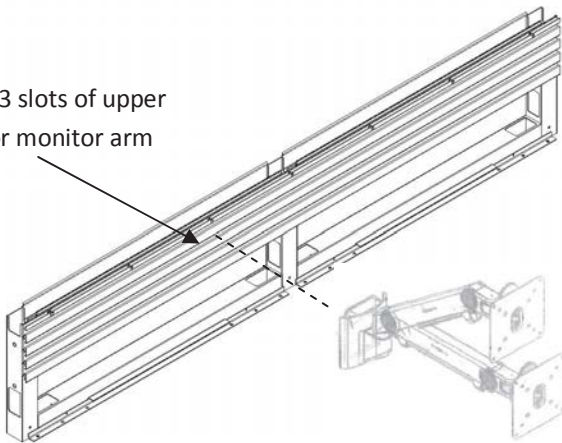


Figure E

## Epicenter Slat Inserts

**NATIONAL**

Furniture with Personality™

Telephone 800.482.1717  
Fax 812.482.8800  
[www.NationalOfficeFurniture.com](http://www.NationalOfficeFurniture.com)

Part # 2545890  
Rev. A

Printed in U.S.A.  
© 2013 Kimball International, Inc.

Proper product installation, in accordance with these instructions, is the responsibility of the installing agent. If you have any questions concerning these instructions, please call National Customer Service 800.482.1717.