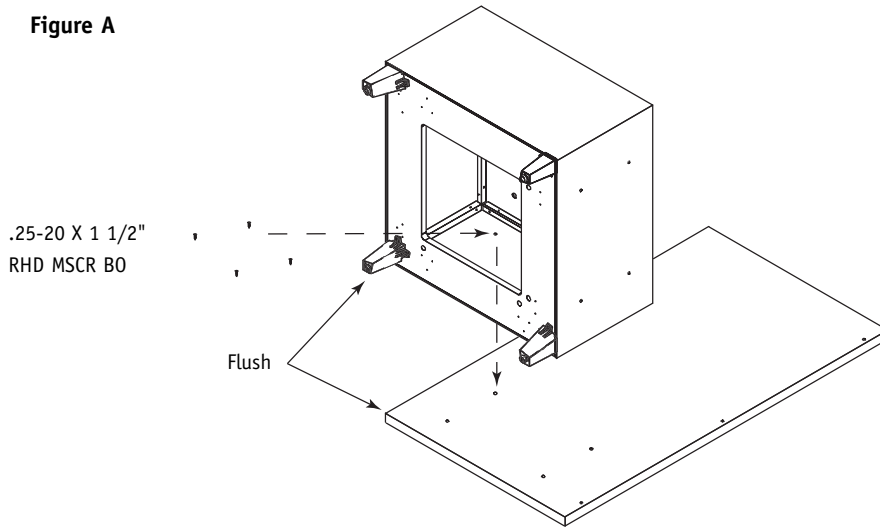


1

Place the widest panel down on a smooth, clean, dry surface. Align the holes in the box over the holes in the panel. Attach the box with four (4) rdh mscr .25-20 x 1 1/2" bo screws (Figure A).

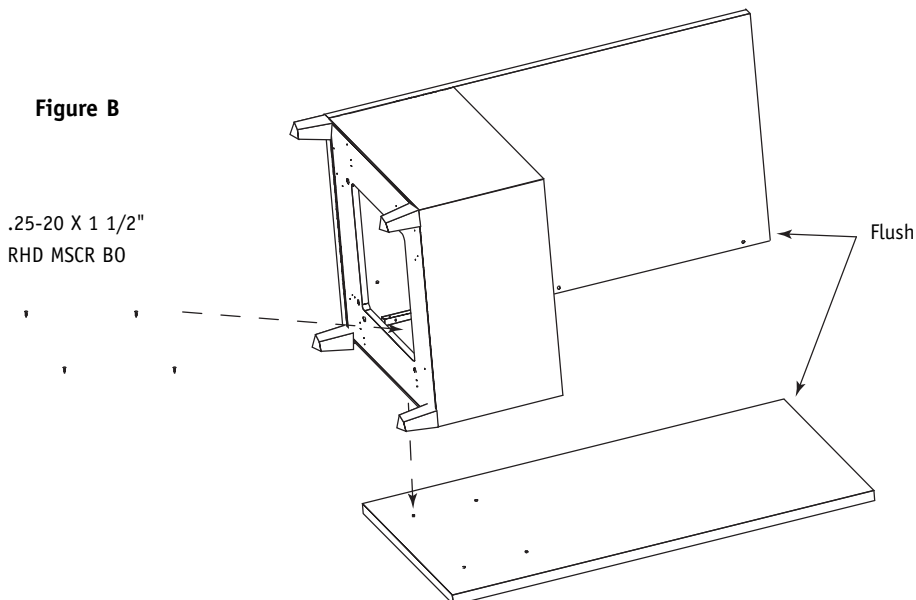
Figure A



2

Place the narrow panel down on a smooth, clean, dry surface. Align the holes in the box over the holes in the panel. Attach the box with four (4) rdh mscr .25-20 x 1 1/2" bo screws (Figure B).

Figure B



Fringe Corner Table

Recommended Tools

- Tape Measure or Ruler
- Phillips Head Screwdriver

Package Contents	Qty.
• #8 x 3" PHP FBSCR BK	4
• RDH MSCR .25-20 x 1 1/2 BO	8
• SCH MSCR .25-20 x 45MM BO	PER ORDER
• SCH MSCR .25-20 x 45MM NKL	PER ORDER
• ADJBL GLD 1 1/2 STL BK	PER ORDER
• ADJBL GLD 1 1/2 STL NKL	PER ORDER

NATIONAL

Furniture with Personality®

Telephone 800.482.1717
 Fax 812.482.8800
www.NationalOfficeFurniture.com

Part #2563919
 Rev,-

Printed in U.S.A
 © 2013 Kimball International, Inc.

Proper product installation, in accordance with these instructions, is the responsibility of the installing agent. If you have any questions concerning these instructions, please call National Customer Service.

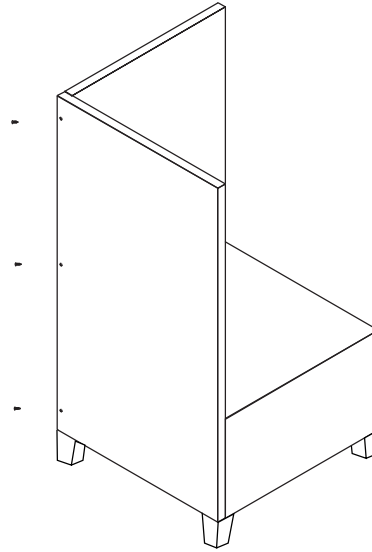
Assembly Instructions

Fringe Tables

- 3** Flush the two (2) panels. Attach with three (3) **PER ORDER FOR COLOR** sch mscr .25-20 x 45mm Black **OR** Nickle screws (Figure C).

Figure C

Three (3) sch mscr .25-20
x 45mm Black **OR** Nickle
screws per order.



- 4** Attach to the feet four (4) php fbscr #8 x 3" bk screws (Figure D). Depending on order attach, four (4) Hard or Soft glides (Figure D).

Figure D

