

1

Place each ganging bracket set over the predrilled holes found on bottom side of Table units or over the marked location found on the bottom side of Lounge units. Attach each set with Six (6) #8 x 3/4" FHP FBSCR. (Figure A).

NOTE: Two (2) ganging brackets per ganging joint.

Figure A Six (6) #8 x 3/4" Fhp Fbscr

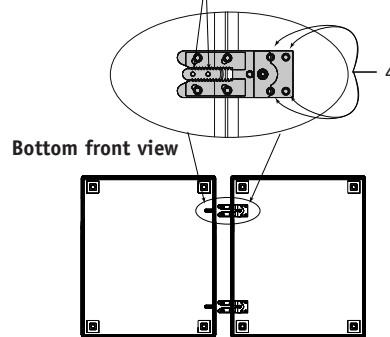
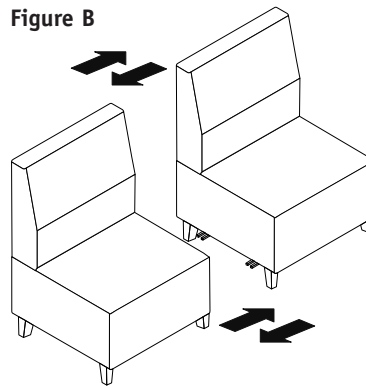


Figure B

Every ganging side must use (2) two ganging brackets.

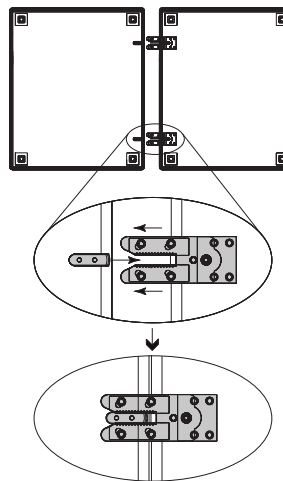


2

Align the ganging units side by side, (Figure B), Push in to engage the brackets (Figure C).

NOTE: Two (2) ganging brackets per ganging joint.

Figure C

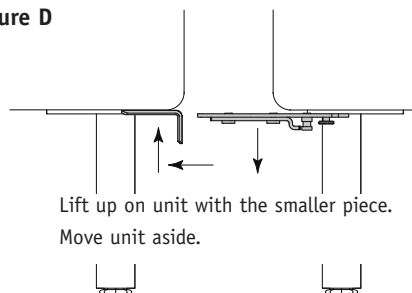


2

3

To separate the units, lift up on the unit with the smaller mating piece (Figure D).

Figure D



Fringe Ganging Bracket

Recommended Tools

- Phillips Head Screwdriver

Package Contents Qty.

- #8 x 3/4" FHP FBSCR BK 6
- Ganging Bracket Set 1

NATIONAL

Furniture with Personality®

Telephone 800.482.1717
 Fax 812.482.8800
 www.NationalOfficeFurniture.com

Part #2563941
 Rev,-

Printed in U.S.A
 © 2014 Kimball International, Inc.