

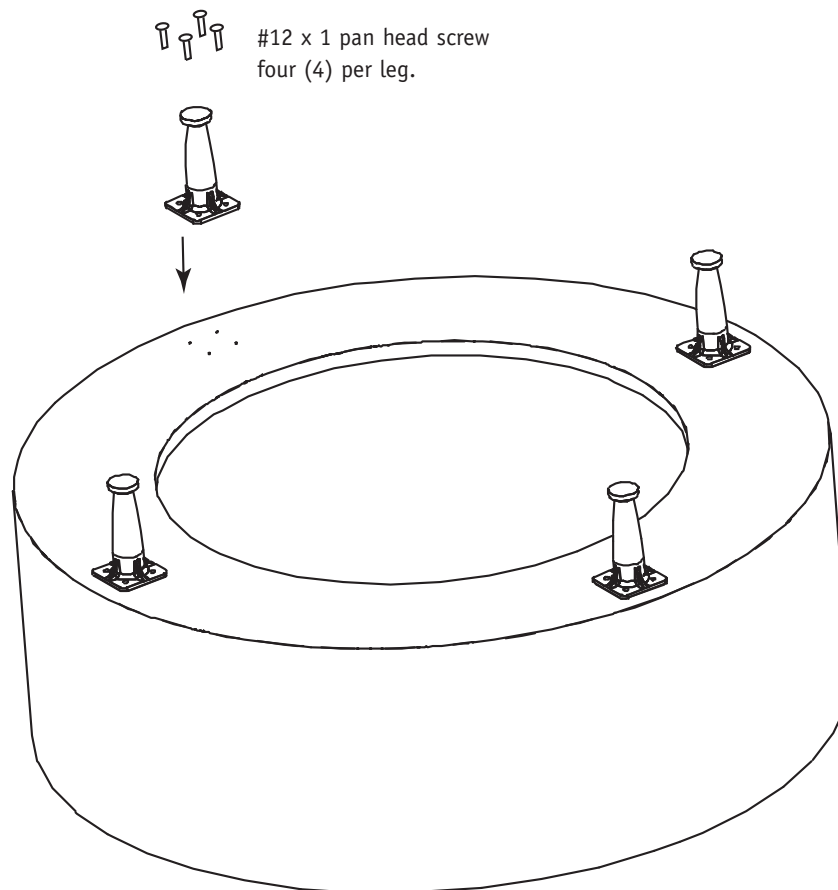
Assembly Instruction

Reno Table

1

Place the table face down on a clean solid surface or floor. Align each leg over the pre-bored holes. Attach each leg using four (4) #12 x 1 pan head phillips screws until all four (4) legs are attached (Figure A).

Figure A



Recommended Tools

- Power Drill
- Phillips Screw Bit

Package Contents	Qty.
#12 x 1" Pan Head Screw	16

NATIONAL

Furniture with Personality®

Telephone 800.482.1717
Fax 812.482.8800
www.NationalOfficeFurniture.com

Part 2603524
Rev , -

Printed in U.S.A
© 2014 Kimball International, Inc.

Proper product installation, in accordance with these instructions, is the responsibility of the installing agent. If you have any questions concerning these instructions, please call National Customer Service.