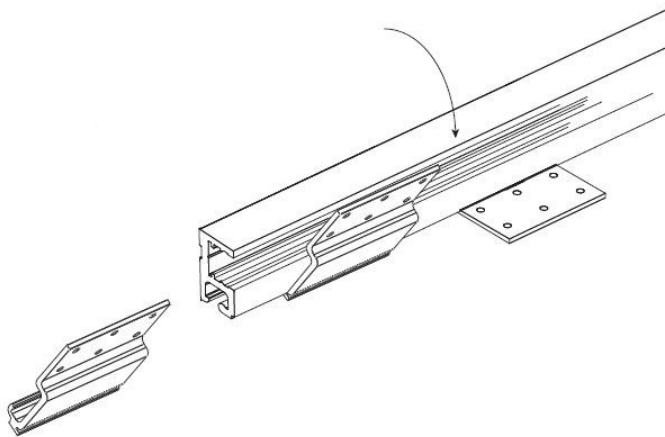


NOTE: INSERT PANELS MUST BE INSTALLED INTO EXHIBIT WALL RAILS PRIOR TO SETTING UP MIO EXHIBIT BASE AND WORKSURFACE.

Assembly Instruction

Mio Exhibit Base

- 1** Install the glides into the base. This base is to be used with Exhibit wall rail and Mio worksurface. Align base below the lower Exhibit wall rail. See Assembly Instruction sheet 2303105 for locating Exhibit wall rail. NOTE: 28 1/2" to wall rail notch for seated height; 41 1/8" to wall rail notch for standing height
- 2** Place two worksurface brackets on either side of the base, spaced evenly. Insert hook on the worksurface bracket into the wall rail at an angle. Push the bracket to hang off the wall rail.

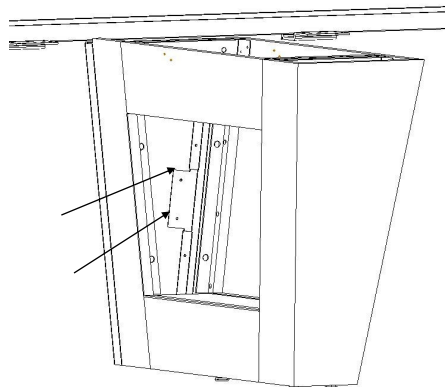


Package Contents

Hardware.....	Qty
Concrete Anchor	4
Drywall Anchor	4
#8x1.25" screws	4
#10x1" screws	4 per base bracket
Hardware with Worksurface	
Worksurface Bracket	4
#8x1" screws	24

Tools Required
 Drill (Phillips #2)
 Level
 AN

- 3** Level top of base along length to the top of the worksurface brackets. Remove the access panel from the back vertical base in order to reach the metal blinders. Attach the blinders with anchors provided, using the concrete anchors for a block wall or the twist action finned anchors for drywall applications. Secure anchors with #8x1.25" screws provided.
 NOTE: It is possible that you may need to notch the baseboard trim for the base to fit up next to the wall. There are slotted holes in the blinder for adjustment to the wall.



Proper product installation, in accordance with these instructions, is the responsibility of the installing agent. If you have any questions concerning these instructions, please call National Customer Service 800.482.1717.

NATIONAL

Furniture with Personality™

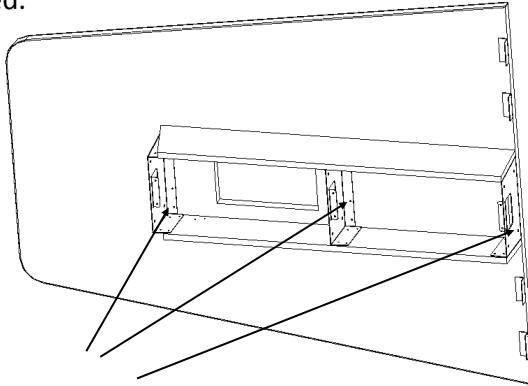
Telephone 800.482.1717
 Fax 812.482.8800
www.NationalOfficeFurniture.com

Part # 2670345
 Rev. A

Printed in U.S.A.
 © 2015 Kimball International, Inc.

Assembly Instruction

- 4** Center the worksurface on the base and push up against the wall. Attach the worksurface to the worksurface brackets using the #8x1" phillips pan head screws provided. Attach the worksurface to the Mio base through the metal brackets using the #10x1" screws provided.



Wall, base verticals,
and bottom channel
hidden for better
view.

Use #10 x 1" panhead screws from base
hardware kit here (4 per bracket)

Mio Exhibit Base

NATIONAL

Furniture with Personality™

Telephone 800.482.1717
Fax 812.482.8800
www.NationalOfficeFurniture.com

Part # 2670345
Rev. -

Printed in U.S.A.
© 2014 Kimball International, Inc.

Proper product installation, in accordance with these instructions, is the responsibility of the installing agent. If you have any questions concerning these instructions, please call National Customer Service 800.482.1717.