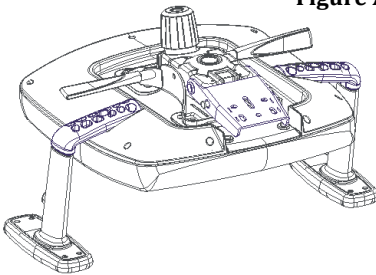


Wander™ Assembly Instruction

1

Place seat assembly upside down on an elevated flat surface. The back of the seat should slightly overhang the edge of the surface. Figure A.

Figure A



2

Insert back assembly upright into mating section of control as shown and assemble using all provided 5/16-18 X 3/4" bolts with washers. Ensure each bolt is secure and seated with the mating surface. Figures B & C.

Figure B

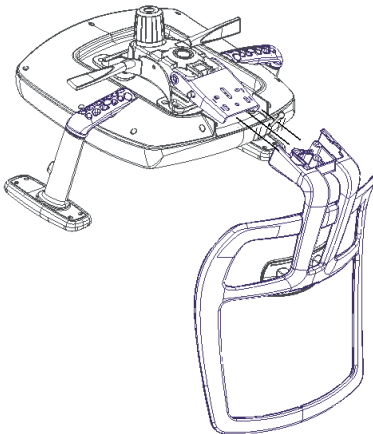
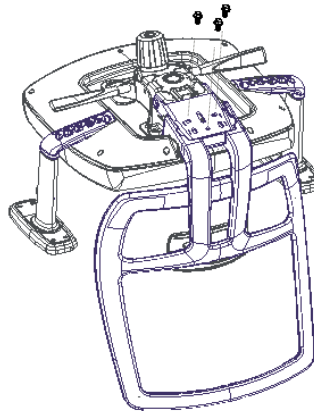


Figure C



Assemble units as described herein only. All screws and bolts must be tightened securely and checked periodically after assembly. Failure to assemble or to secure parts properly may result in assembly failure and personal injury.

Product Line
Wander™ Task Chair

Required Tools

- 5mm Hex Key (Included)

Package Contents Qty.

- | | |
|---|---|
| • Back assembly | 1 |
| • Base with casters | 1 |
| • Gas lift cylinder | 1 |
| • Seat assembly | 1 |
| • 5/16-18 X 3/4" bolt with attached washers | 3 |

NATIONAL

Furniture with Personality™

Telephone 800.482.1717
Fax 812.482.8800
www.NationalOfficeFurniture.com

Part # 2705825
Rev. -

Printed in U.S.A.
© 2013 Kimball International, Inc.

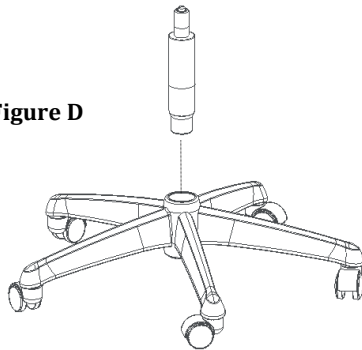
Proper product installation, in accordance with these instructions, is the responsibility of the installing agent. If you have any questions concerning these instructions, please call National Customer Service 800.482.1717.

Wander™ Assembly Instruction

3

Turn the base with casters in the upright position and place onto the floor as shown. Orient the gas lift cylinder as shown and insert the larger end of the cylinder into the hole in the center of the base. Figure D.

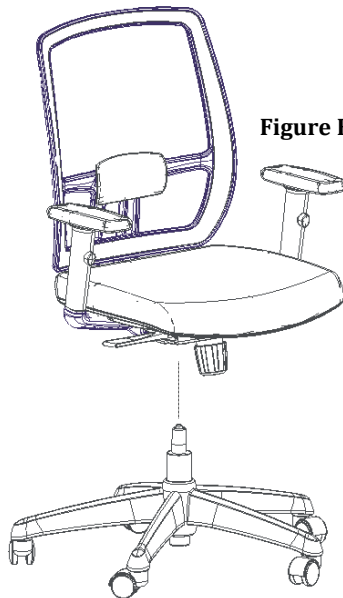
Figure D



4

Carefully position the seat assembly over the gas lift cylinder, aligning the hole in the seat control with the top, smaller end of the cylinder. Press the seat assembly onto the cylinder then sit on the seat to completely mate the components together. While seated, actuate height control lever and move the seat into its lowest position. Actuate height control lever and remove weight from chair to adjust chair up to comfortable sitting height. Figure E.

Figure E



NATIONAL

Furniture with Personality®

Telephone 800.482.1717
Fax 812.482.8800
www.NationalOfficeFurniture.com

Part # 2705825
Rev. -

Printed in U.S.A.
© 2013 Kimball International, Inc.

Proper product installation, in accordance with these instructions, is the responsibility of the installing agent. If you have any questions concerning these instructions, please call National Customer Service 800.482.1717.