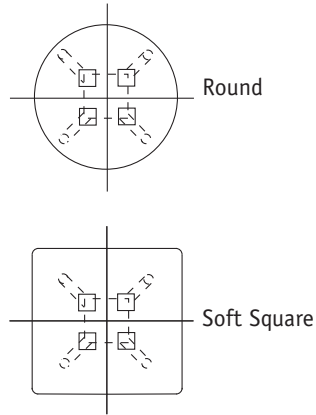


## Assembly Instruction

### Quad Base

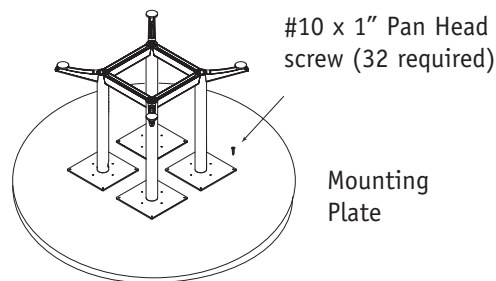
- 1 Place the worksurface face down on a clean solid surface or floor. Position the Quad Base in the center of the worksurface as shown in (Figure A).

Figure A



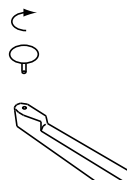
- 2 Attach the Quad Base mounting plate to the worksurface using the thirty-two (32) #10 x 1" Pan Head screws provided (Figure B).

Figure B



- 3 Thread adjustable glides into bottom of base foot (Figure C).

Figure C



#### Recommended Tools

- Power Drill
- Phillips Screw Bit
- Tape Measure

Package Contents	Qty.
#10 x 1" Pan Head Screw	32
Adjustable glides	4

NATIONAL | Furniture with Personality™

Telephone 800.482.1717  
Fax 812.482.8800  
www.nationalofficefurniture.com

Part #2881951  
Rev,-

Printed in U.S.A  
© 2016 Kimball International, Inc.

Proper product installation, in accordance with these instructions, is the responsibility of the installing agent. If you have any questions concerning these instructions, please call National Customer Service.